



# TRG15 SERIES

## 15W SWITCHING ADAPTER

### Level VI Efficiency



## Features

- \* Universal Input Range 90~264Vac
- \* Meets EN55022 Class B and CISPR/FCC Class B
- \* Continuous Short Circuit Protection
- \* Over Voltage Protection
- \* Meet CoC Tier 2 & DoE Level VI  
(Output Cable Length  $\leq$  1800mm)  
(TRG1506: Output Cable Length  $\leq$  1220mm)
- \* No Load Power Consumption < 75mw



## Ordering information

TRG15XX - x	-XX	E	XX
Model No.	AC Plug Type	DC Plug Type	OVP DC Cable Length and Type
	A: USA 2 Pin		01: 720mm
	E: Europe 2 Pin		02: 1220mm
	U: British 3 Pin		03: 1800mm
	S: Australia 2 Pin		11: 720mm with Ferrite Core
			12: 1220mm with Ferrite Core
			13: 1800mm with Ferrite Core
			* 18AWG / UL1185 FOR 5V,7.5V,9V
			* 16AWG / UL1185 FOR 6V
			* 20AWG/UL1185FOR12V,13.6V,15V,18V,24V

MODEL	OUTPUT VOLTAGE	OUTPUT CURRENT	RIPPLE & NOISE NOTE 1	VOLTAGE ACCURACY NOTE 2	LINE REGULATION NOTE 3	LOAD REGULATION NOTE 4	AVERAGE EFFICIENCY min. NOTE 5
TRG1505	5 V	2.0 A	50mVp-p	$\pm 2\%$	$\pm 1\%$	$\pm 4\%$	79%
TRG1506	6 V	1.5 A	1%	$\pm 2\%$	$\pm 1\%$	$\pm 3\%$	81.57%
TRG1507	7.5 V	1.6 A	1%	$\pm 2\%$	$\pm 1\%$	$\pm 3\%$	83.26%
TRG1509	9 V	1.4 A	1%	$\pm 2\%$	$\pm 1\%$	$\pm 2\%$	83.54%
TRG1512	12 V	1.0 A	1%	$\pm 2\%$	$\pm 1\%$	$\pm 2\%$	83.26%
TRG1512-01	13.6 V	1.0 A	1%	$\pm 2\%$	$\pm 1\%$	$\pm 2\%$	83.97%
TRG1515	15 V	1.0 A	1%	$\pm 2\%$	$\pm 1\%$	$\pm 2\%$	84.5%
TRG1518	18 V	0.83 A	1%	$\pm 2\%$	$\pm 1\%$	$\pm 2\%$	84.48%
TRG1524	24 V	0.63 A	1%	$\pm 2\%$	$\pm 1\%$	$\pm 2\%$	84.54%



Distributed by:

**Power Sources Unlimited, Inc.** Wrentham, MA • Tel: 508-384-1419 • sales@psui.com • www.psui.com

Specifications are subject to change without notice.

# Specifications

# TRG15 Series Derating Curve

### INPUT SPECIFICATIONS:

- Voltage ..... 90~264Vac
- Frequency ..... 47 to 63Hz
- Input Current ..... 0.5A max.
- Inrush Current ..... Cold Start @25°C 50A max. @ 240Vac
- Leakage Current ..... 0.25mA max.

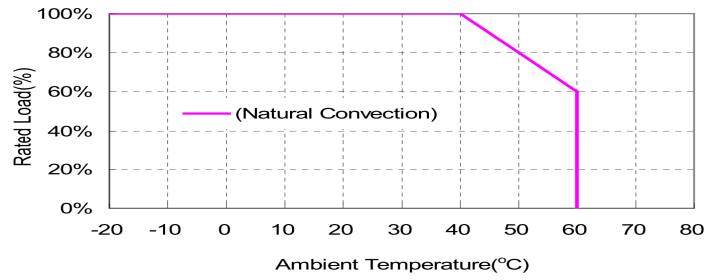
### OUTPUT SPECIFICATIONS:

- Hold-up Time ..... 8ms typ. @115Vac
- Short Circuit Protection ..... Hiccup Mode (Auto Recovery)
- Over Voltage Protection ..... Hiccup Mode (Auto Recovery)
- Temperature Coefficient ..... ±0.05% / °C

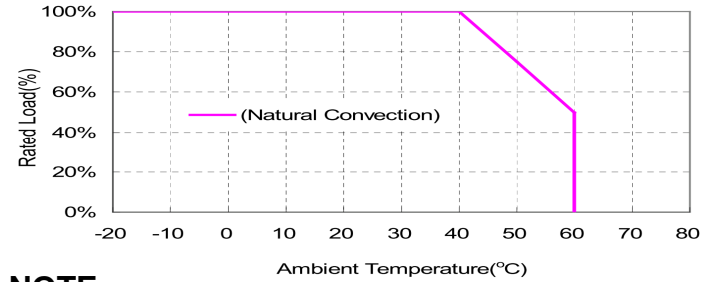
### GENERAL SPECIFICATIONS:

- Isolation ..... Input to output = 4,242VDC
  - Operating Temperature ..... -20 ~ 60°C (see derating curve)
  - Storage Temperature ..... -20~85°C
  - Humidity ..... 93% RH max. Non condensing
  - Cooling ..... Natural Convection
  - Switching Frequency ..... Full Load.....115V / 85KHz Typical  
230V / 65KHz Typical
  - MTBF ..... MIL-HDBK-217F, GB, at 25°C/115VAC ..... 200Khrs min.
  - Altitude ..... 5000m
  - Dimensions ..... 2.835x2.047x1.378 inches (72.00x52.00x35.00mm)
  - Weight ..... 140g(0.33 Pounds)
- SAFETY AND EMC:**
- Emission and Immunity ..... EN55022 Class B, FCC Part 15 Class B  
EN61000-6-3, EN61000-3-2, EN61000-3-3  
EN55024, EN61204-3, EN61000-6-1
  - Safety ..... Class II, IEC60950-01, EN60950-1, UL60950-1

TRG1505, 1506, 1507, 1509, 1512, 1512-01



TRG1515, 1518, 1524

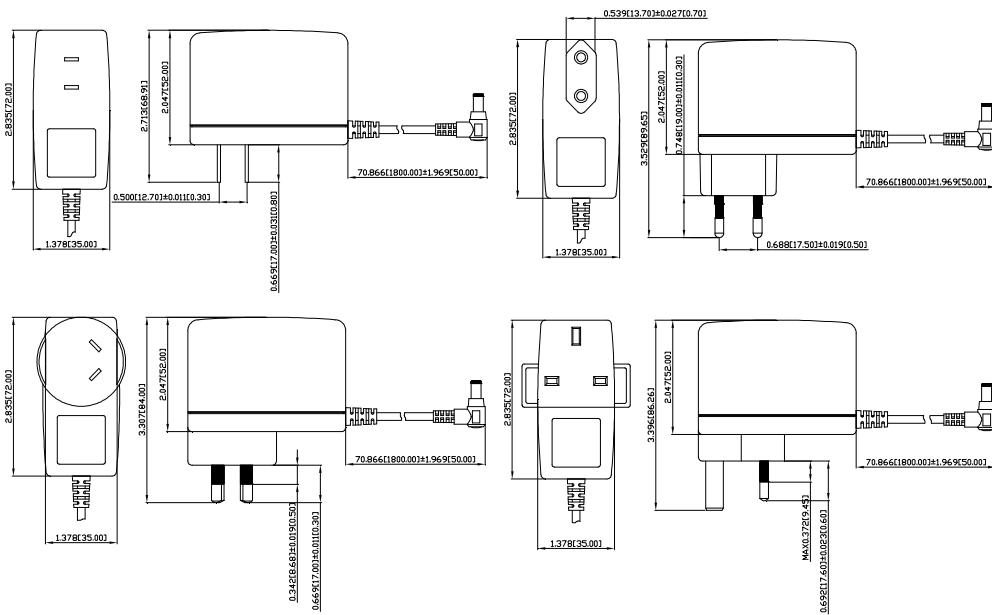


**NOTE:**

- 1. Add a 0.1uF ceramic capacitor and a 10uF E.L. capacitor to output for Ripple & Noise measuring @20MHz BW.
- 2. Voltage setpoint at 60% full load.
- 3. Line regulation measured from 100Vac to 240Vac full load.
- 4. Load regulation measured from 60% to full load and from 60% to 20% load (60% +/- 40% load).
- 5. Average Efficiency measured at 25%,50%,75%,100% load and input voltage is 115Vac / 230Vac.

### Mechanical Specification

All Dimensions are in inches(mm)  
Tolerance: Inches: X.XXX±0.02  
Millimeters: X.XX±0.5



Distributed by: **Power Sources Unlimited, Inc.** Wrentham, MA • Tel: 508-384-1419 • sales@psui.com • www.psui.com

Typical at 25°C, nominal line and 75% load, unless otherwise Specified