

- High power density power supply (enclosed / open frame)
- Certification according to IEC/EN/ES 60601-1 3rd edition for 2×MOPP
- Low leakage current <75 µA rated for BF applications
- Risk management process according to ISO 14971 including risk management file
- Acceptance criteria for electronic assemblies according to IPC-A-610 Level 3
- Protection class I and II
- Operating up to 5000m altitude
- Ready to meet ErP directive, < 0.15 W no load power consumption
- 5 year product warranty



The TPP 40 Series of 40 Watt AC/DC power supplies feature a reinforced double I/O isolation system according to latest medical safety standards (60601-1 3rd edition, 2 × MOPP). The earth leakage current is below 75 µA what makes the units suitable for BF (body floating) applications.

The excellent efficiency of up to 92% allows a high power density for the standard 2.44" x 3.0" packaging format. The full load operating temperature range is -40°C to +70°C while it goes up to 85°C with 50% load derating (for single output models). They come with an active power factor correction and the EMC characteristic is dedicated for applications in industrial and domestic fields.

High reliability is provided by use of industrial quality grade components and an excellent thermal management. It makes the products an ideal solution for medical devices and for demanding safety and space critical applications.

Order code		Output voltage (Vout 1 adjustable by ±10%)			Output current max.			Efficiency max.
enclosed, screw terminal	open frame, pin connector	Vout 1	Vout 2	Vout 3	Vout 1	Vout 2	Vout 3	
TPP 40-105	TPP 40-105A-J	5 VDC			8.0 A			90 %
TPP 40-112	TPP 40-112A-J	12 VDC			3.34 A			92 %
TPP 40-115		15 VDC			2.67 A			92 %
TPP 40-124	TPP 40-124A-J	24 VDC			1.67 A			92 %
	TPP 40-148A-J	48 VDC			0.84 A			92 %
TPP 40-221 <sup>1)</sup>		+12 VDC	+5 VDC		3.34 A	4 A		89 %
TPP 40-231 <sup>1)</sup>		+15 VDC	+5 VDC		2.67 A	4 A		88.5 %
TPP 40-251 <sup>1)</sup>		+24 VDC	+5 VDC		1.67 A	4 A		86 %
TPP 40-321M2 <sup>1)</sup>		+12 VDC	+5 VDC	-12 VDC	3.34 A	4 A	0.5 A	88 %
TPP 40-331M3 <sup>1)</sup>		+15 VDC	+5 VDC	-15 VDC	2.67 A	4 A	0.5 A	88 %
TPP 40-3512 <sup>1)</sup>		+24 VDC	+5 VDC	+12 VDC	1.67 A	4 A	0.5 A	86 %

<sup>1)</sup> Total power should not exceed nominal power

PROUDLY DISTRIBUTED BY:

05/12/17



Power Sources Unlimited, Inc.  
200 Stonewall Boulevard, Suite 4  
Wrentham, MA 02093-2210  
WWW.PSUI.COM

1-800-966-PSUI (7784)  
Outside U.S. 508-384-1419  
Fax: 508-384-1896  
info@psui.com

**POWER  
WITHOUT  
LIMITS**

## Input Specifications

Input voltage range	– AC range (universal input) – DC range	85 – 264 VAC 120 – 370 VDC
Input frequency		47 – 63 Hz
Input current at full load	– at 115 VAC / 230 VAC	1.05 A max. / 0.55 A max.
Input protection		T3.15 A/250 VAC (internal fuse in both line & neutral)
Input inrush current	– at 230 VAC	60 A max.
Zero load power consumption		0.15 W max. (acc. ErP directive)

## Output Specifications

Voltage set accuracy		single output: $\pm 1\%$ multi output: $\pm 1\%$ Vout1 $\pm 2\%$ Vout2, Vout3
Regulation - single output	– Input variation – Load variation (0 - 100%)	5 VDC model: 0.2% max. 0.7% max. other models: 0.5% max.
Regulation - multi output	– Input variation – Load variation (0 - 100%)  – cross regulation (25% / 100%)	0.2% max. Vout1: 0.5% max. Vout2: 1.5% max. (0.1W to full load: 0.7% max.) Vout3: 0.7% max. 1.5% max.
Minimum load		not required (Vout3 requires 0.5 W over Vout 1/Vout 2 to be stabilized)
Temperature coefficient		0.02%/K
Hold-up time	– Vin = 115 VAC	25 ms typ.
Start-up time		<1s
Rise time		20 ms typ.
Ripple and noise (20Mhz Bandwidth)	– single output model  – multi output Vout 1  – Vout 2 – Vout 3	5-15 VDC outputs: 75 mVp-p typ. w. cap. 10 $\mu$ F/25V 1206 X7R MLCC 24 VDC output: 75 mVp-p typ. w. cap. 1 $\mu$ F/50V 1206 X7R MLCC 48 VDC output: 150 mVp-p typ. w. cap. 0.1 $\mu$ F/100V 1206 X7R MLCC 12 VDC: 120 mVp-p typ. w. cap. 1 $\mu$ F/50V 1206 X7R MLCC 15 VDC: 150 mVp-p typ. w. cap. 1 $\mu$ F/50V 1206 X7R MLCC 24 VDC: 240 mVp-p typ. w. cap. 1 $\mu$ F/50V 1206 X7R MLCC 5 VDC: 100 mVp-p typ. w. cap. 10 $\mu$ F/25V 1206 X7R MLCC (-)12 VDC: 120 mVp-p typ. w. cap. 10 $\mu$ F/25V 1206 X7R MLCC 15 VDC: 150 mVp-p typ. w. cap. 10 $\mu$ F/25V 1206 X7R MLCC
Overvoltage protection		125 – 140% of nominal Vout
Current limitation		single output: at 145% Iout typ. multi output: at 145% Pout1 +Pout2
Short circuit protection		hiccup mode (automatic recovery)
Transiente response	– Peak deviation – Recovery time	Vout1: 3% max. (25% load step change) 600 $\mu$ s typ.

## General Specifications

Operating temperature		–40°C to +85°C with derating, see graph on p.3
Output power derating	– Temperature  – Low input voltage	single output: 2.67 %/K above +70°C at 230 VAC 2.75 %/K above +65°C at 115 VAC multi output: 1.60 %/K above +60°C at 230 VAC 1.67 %/K above +55°C at 115 VAC 1.33 %/V below 100 VAC

All specifications valid at nominal input voltage, full load and +25°C after warm-up time unless otherwise stated.

**PROUDLY DISTRIBUTED BY:**



**Power  
Sources  
Unlimited, Inc.**

Power Sources Unlimited, Inc.  
200 Stonewall Boulevard, Suite 4  
Wrentham, MA 02093-2210  
WWW.PSUI.COM

1-800-966-PSUI (7784)  
Outside U.S. 508-384-1419  
Fax: 508-384-1896  
info@psui.com

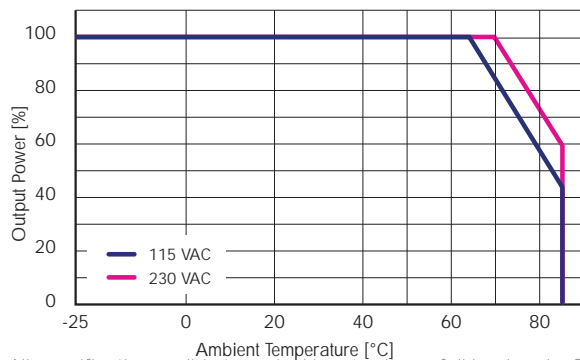
**POWER  
WITHOUT  
LIMITS**

05/12/17

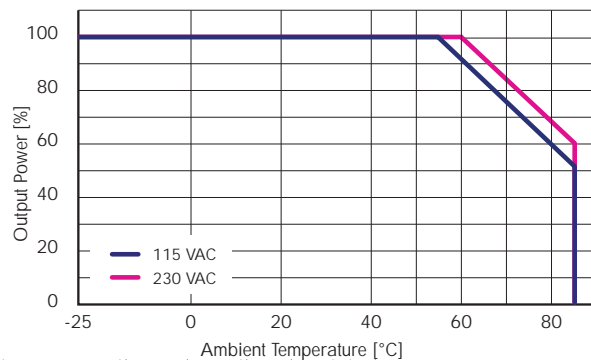
## General Specifications (continued)

Storage temperature		-40°C to +85°C
Humidity (non condensing)		5 – 95 % rel. H max.
Altitude during operation		5000 m
Switching frequency - single output (at 230 VAC)		5 VDC model: 70 kHz typ. (pulse frequency modulation) other models: 120 kHz typ. (pulse frequency modulation)
Switching frequency - multi output (at 230 VAC)	- Vout 1 - Vout 2 - Vout 3	5 VDC model: 70 kHz typ. (pulse frequency modulation) other models: 115 kHz typ. (pulse frequency modulation) 750 kHz typ. (pulse frequency modulation) 510 kHz typ. (pulse frequency modulation)
Isolation voltage	- Input / Output (60 sec.) (2 × MOPP insulation) - Input / Case (60 sec.)	4000 VAC 2500 VAC
Leakage current (at 264 VAC/60Hz)		75 µA max.
Isolation resistance (at 500 VDC)		100 Mohm min.
Reliability	- calculated MTBF at +25°C acc. to IEC 61709	3'000'000 h for single output models 1'700'000 h for multi output models
Protection class		class II prepared
Electromagnetic compatibility (EMC), emissions	- Conducted input RI suppression - Harmonic current emissions - Voltage flicker - Radiated input surpression	EN 55022, class B IEC / EN 61000-3-2, class A IEC / EN 61000-3-3, (class tba.) EN 55011, class B IEC / EN 60601-1-2 (for medical equipment)
Electromagnets compatibility (EMC), immunity	- Electrostatic discharge ESD - RF field immunity - Electrical fast transients/burst immunity - Surge - Conducted RF - Magnetic field (only for single output models)	IEC / EN 60601-1-2 IEC / EN 61000-4-2, 8kV/6kV perf. criteria A IEC / EN 61000-4-3, 20V/m perf. criteria A IEC / EN 61000-4-4, ± 2kV perf. criteria A IEC / EN 61000-4-5, ± 1kV/± 2kV perf. criteria A IEC / EN 61000-4-6, 20 Vrms perf. criteria A IEC / EN 61000-4-8, 10A/m perf. criteria A
Voltage dip and interruptions according to EN 60601-1-2 reference: 100 VAC / 50Hz		30%, 500ms perf. criteria A 60%, 100ms perf. criteria B > 95%, 10ms perf. criteria A > 95%, 5000ms perf. criteria B
Safety standards and certification <a href="http://www.ul.com">www.ul.com</a> File e188913		UL 60950-1, IEC/EN 60950-1, IEC/EN 60601-1 3rd edition, ANSI/AAMI ES60601-1:2005(R)2012
Environment	- Vibration acc. IEC 60068-2-6 - Shock acc. IEC 60068-2-27	3 axis, sine sweep, 10–55Hz, 1g, 1oct/min 3 axis, 10g half sine, 11msShock 20 G (3 directions each 3 times)
Environmental compliance	- Reach - RoHS	<a href="http://www.tracopower.com/overview/tpp40">www.tracopower.com/overview/tpp40</a> RoHS directive 2011/65/EU
Connection		screw terminal / pin connector

Single output models:



Multi output models:



All specifications valid at nominal input voltage, full load and +25°C after warm-up time unless otherwise stated.

PROUDLY DISTRIBUTED BY:



Power  
Sources  
Unlimited, Inc.®

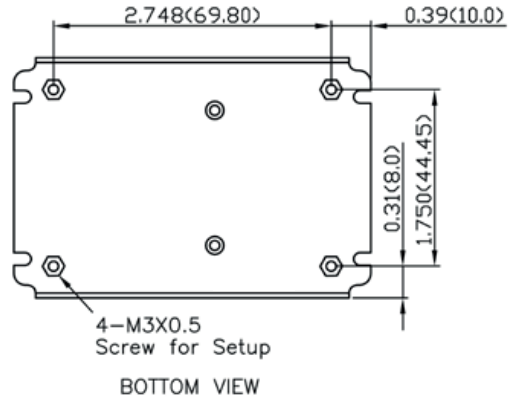
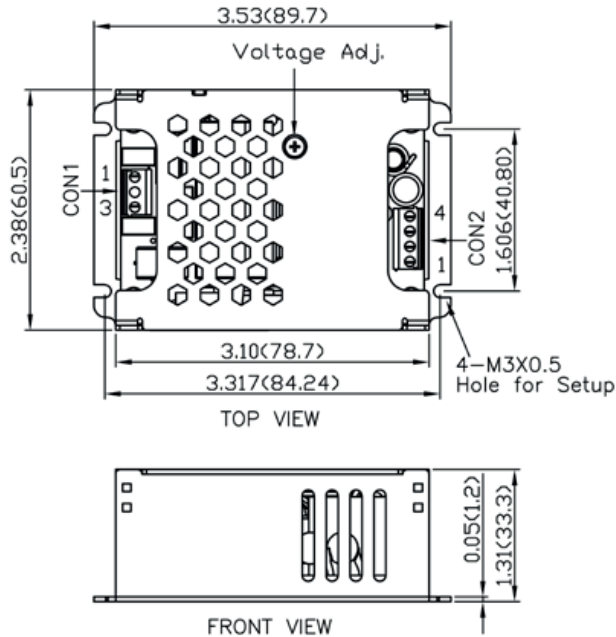
Power Sources Unlimited, Inc.  
200 Stonewall Boulevard, Suite 4  
Wrentham, MA 02093-2210  
WWW.PSUI.COM

1-800-966-PSUI (7784)  
Outside U.S. 508-384-1419  
Fax: 508-384-1896  
info@psui.com

POWER  
WITHOUT  
LIMITS

05/12/17

Single output enclosed:

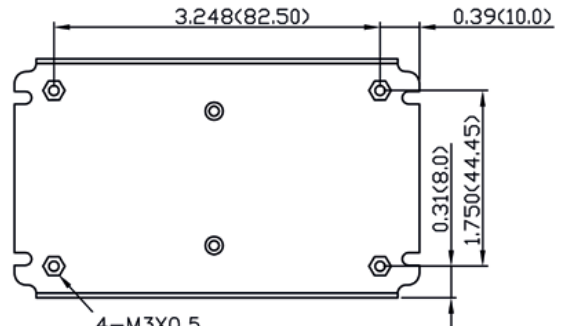
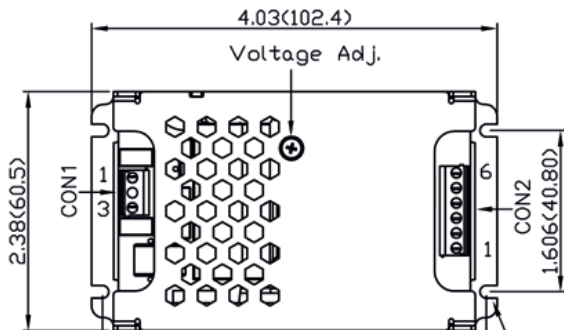


Screw Terminal			
Input		Output	
Pin	Single	Pin*	Dual
1	Line	1,2	-Vout
3	Neutral	3,4	+Vout

**Weight:** 169g (5.96 oz)

\*Terminal rated for 10 A max.  
(at higher current connection has to be split)

Multi output enclosed:



**PROUDLY DISTRIBUTED BY:**



**Power Sources Unlimited, Inc.**

Power Sources Unlimited, Inc.  
200 Stonewall Boulevard, Suite 4  
Wrentham, MA 02093-2210  
WWW.PSUI.COM

1-800-966-PSUI (7784)  
Outside U.S. 508-384-1419  
Fax: 508-384-1896  
info@psui.com

**POWER WITHOUT LIMITS**

05/12/17