

- ◆ Ultra compact SIP-7 package
- ◆ Very high I/O-isolation 5'700 VDC
- ◆ Dedicated for IGBT applications
- ◆ Operating temperature range
-40°C to +80°C
- ◆ Industry standard pinout
- ◆ 3-year product warranty



The TMV 2HI series is a range of 2 Watt non regulated dc/dc-converters with high I/O-isolation. They come in a very compact SIP-7 package.

Models				
Order code	Input voltage	Output voltage	Output current max.	Efficiency typ.
TMV 2-0503SHI	5 VDC ±10 %	3.3 VDC	500 mA	70 %
TMV 2-0505SHI		5.0 VDC	400 mA	70 %
TMV 2-0509SHI		9.0 VDC	222 mA	75 %
TMV 2-0512SHI		12 VDC	168 mA	77 %
TMV 2-0515SHI		15 VDC	132 mA	78 %
TMV 2-0505DHI		±5.0 VDC	±200 mA	71 %
TMV 2-0509DHI		±9.0 VDC	±112 mA	75 %
TMV 2-0512DHI		±12 VDC	±84 mA	77 %
TMV 2-0515DHI		±15 VDC	±66 mA	78 %
TMV 2-05159HI		+15 / -9 VDC	+66 / -110 mA	76 %
TMV 2-1203SHI		12 VDC ±10 %	3.3 VDC	500 mA
TMV 2-1205SHI	5.0 VDC		400 mA	71 %
TMV 2-1209SHI	9.0 VDC		222 mA	76 %
TMV 2-1212SHI	12 VDC		168 mA	78 %
TMV 2-1215SHI	15 VDC		132 mA	79 %
TMV 2-1205DHI	±5.0 VDC		±200 mA	72 %
TMV 2-1209DHI	±9.0 VDC		±112 mA	76 %
TMV 2-1212DHI	±12 VDC		±84 mA	78 %
TMV 2-1215DHI	±15 VDC		±66 mA	79 %
TMV 2-12159HI	+15 / -9 VDC		+66 / -110 mA	77 %
TMV 2-1503SHI	15 VDC ±10 %		3.3 VDC	500 mA
TMV 2-1505SHI		5.0 VDC	400 mA	70 %
TMV 2-1509SHI		9.0 VDC	222 mA	75 %
TMV 2-1512SHI		12 VDC	168 mA	75 %
TMV 2-1515SHI		15 VDC	132 mA	79 %
TMV 2-1505DHI		±5.0 VDC	±200 mA	71 %
TMV 2-1509DHI		±9.0 VDC	±112 mA	75 %
TMV 2-1512DHI		±12 VDC	±84 mA	78 %
TMV 2-1515DHI		±15 VDC	±66 mA	79 %
TMV 2-15159HI		+15 / -9 VDC	+66 / -110 mA	76 %
TMV 2-2403SHI		24 VDC ±10 %	3.3 VDC	500 mA
TMV 2-2405SHI	5.0 VDC		400 mA	70 %
TMV 2-2409SHI	9.0 VDC		222 mA	75 %
TMV 2-2412SHI	12 VDC		168 mA	78 %
TMV 2-2415SHI	15 VDC		132 mA	80 %
TMV 2-2405DHI	±5.0 VDC		±200 mA	71 %
TMV 2-2409DHI	±9.0 VDC		±112 mA	75 %
TMV 2-2412DHI	±12 VDC		±84 mA	77 %
TMV 2-2415DHI	±15 VDC		±66 mA	78 %
TMV 2-24159HI	+15 / -9 VDC		+66 / -110 mA	75 %

Input Specifications

Input current no load	5 Vin models: 35 mA typ. 12 Vin models: 17 mA typ. 15 Vin models: 16 mA typ. 24 Vin models: 12 mA typ.
Surge voltage (1 sec. max.)	5 Vin models: 9 V max. 12 Vin models: 18 V max. 15 Vin models: 20 V max. 24 Vin models: 30 V max.
Input filter	internal capacitor

Output Specifications

Voltage set accuracy	±5 % max.
Voltage balance (dual output models)	1 % max.
Regulation	– Input variation – Load variation 20 – 100 %
	3.3 VDC models: 1.2 % / 1 % change Vin 5 VDC models: < 20 % other models: < 15 % other models: < 10 %
Ripple and noise (20 MHz Bandwidth)	100 mVp-p max.
Short circuit protection	continuous
Capacitive load	– Single output – Dual output
	3.3 VDC models: 1650 µF max. 5.0 & 9.0 VDC models: 940 µF max. 12 & 15 VDC models: 440 µF max. ±5.0 & ±9.0 VDC models: 440 µF max. (each output) ±12 & ±15 VDC models: 200 µF max. (each output) +15 / –9 VDC models: 200 / 440 µF max.

Isolation /Safety

Isolation voltage	– Isolation test voltage (tested for 1 sec.) – I/O isolation voltage (60 sec.)
	5'700 Vpk 5'200 VDC
Isolation capacitance (input/output)	7 pF typ.
Isolation resistance (input/output)	>10 Gohm
Common mode transient immunity (dv/dt)	15 kV/µs min.

General Specifications

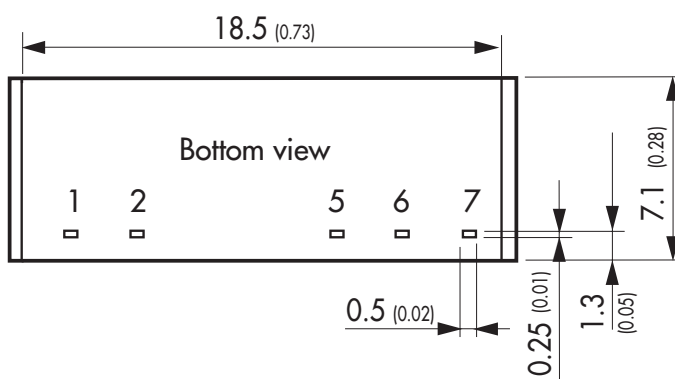
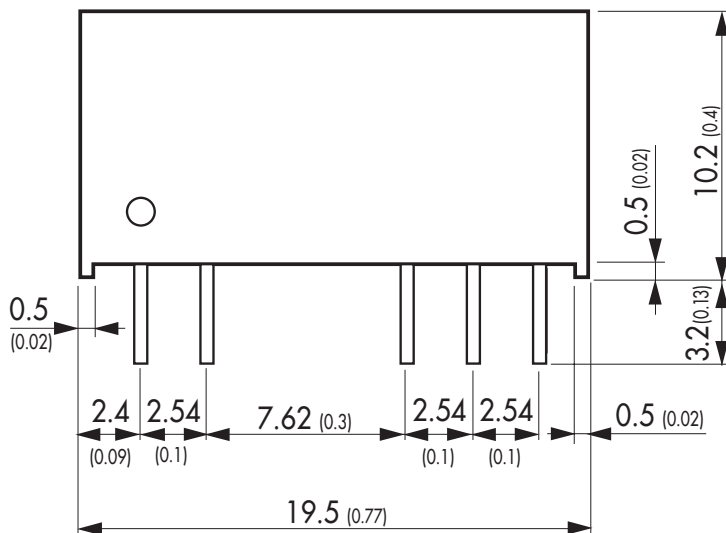
Temperature ranges	– Operating (convection cooling 20LFM, 0,1m/s) – Case temperature – Storage temperature
	–40°C to +80°C +95°C max. –55°C to +125°C
Derating	3.3%/K above 65°C
Humidity (non condensing)	95 % rel H max.
Altitude during operation	4000 m
Temperature coefficient	±0.02 %/K typ.
Reliability, calculated MTBF (MIL-HDBK-217F at +25°C, ground benign)	tbd
Switching frequency	100 kHz typ.
Safety standards	CAN/CSA-C22.2 No 60950-1-07, 2nd ed; A1:2011 ANSI/UL No. 60950-1, 2nd ed.; A1:2011 IEC 60950-1:2005 (2nd edition); Am 1:2009 EN 60950-1:2006/A11:2009/A1:2010/A12:2011 www.tracopower.com/overview/tmv2hi
	– Certification documents (pending)
Environmental compliance	– Reach – RoHS
	www.tracopower.com/overview/tmv2hi RoHS directive 2011/65/EU

All specifications valid at nominal input voltage, full load and +25°C after warm-up time unless otherwise stated.

Physical Specifications

Casing material	non-conducting FR4 (UL 94V-0 rated)
Pin material	tinned copper
Package weight	tbd
Soldering temperature	max. 260°C / 10 sec

Outline Dimensions



Pin-Out		
Pin	Single	Dual
1	+Vin (Vcc)	+Vin (Vcc)
2	-Vin (GND)	-Vin (GND)
5	-Vout	-Vout
6	No pin	Common
7	+Vout	+Vout

Dimensions in [mm], () = Inch
 Tolerances ± 0.25 (± 0.01)
 Pin pitch tolerances ± 0.13 (± 0.005)
 pins ± 0.05 (± 0.002)