



Features

- ◆ Fully encapsulated low profile plastic casing in PCB- or chassis mount version
- ◆ 2 x MOPP Medical safety according to AAMI/ANSI ES 60601-1:2005(R) and IEC/EN 60601-1 3rd edition
- ◆ IT and industrial safety according to IEC/EN/UL 60950-1 and UL 508
- ◆ Ready to meet ErP directive <0.3W no load power consumption
- ◆ -40°C start-up temperature
- ◆ Safety class II prepared
- ◆ Protection against over-temperature overload and short circuit
- ◆ 3-year product warranty



Also see:

TMM 40 Series, 40 Watt

www.tracopower.com/products/tmm40.pdf

TMM 60 Series, 60 Watt

www.tracopower.com/products/tmm60.pdf

The TMM 24 Series of fully encapsulated 24 Watt AC/DC power supply modules feature a reinforced/double I/O isolation system according to latest medical safety standards 60601-3 3rd edition for 2 x MOPP (Means Of Patient Protection). The high efficiency and the use of highest grade components make the units suitable for an operating temperature range of -40°C to +65°C while it goes up to 80°C with 50% load derating. EMI/EMC characteristics and the safety approval package qualify these modules not only for medical devices but also for demanding applications in transportation systems and for equipment in industrial an commercial environment.

24 Watt Models

Order code		Output power max.	Output 1	Output 2	Efficiency	
PCB mount	Chassis mount					
TMM 24105	TMM 24105C	15 W	5.0 VDC / 3000 mA		77 %	
TMM 24112	TMM 24112C		12 VDC / 2000 mA		83 %	
TMM 24115	TMM 24115C	24 W	15 VDC / 1600 mA		82 %	
TMM 24124	TMM 24124C		24 VDC / 1000 mA		85 %	
TMM 24212	TMM 24212C		+12 VDC / 1000 mA		-12 VDC / 1000 mA	84 %
TMM 24215	TMM 24215C		+15 VDC / 800 mA		-15 VDC / 800 mA	84 %



Input Specifications

Input voltage	<ul style="list-style-type: none"> - nominal - AC range (universal input) - DC range 	100 – 240 VAC 85 – 264 VAC 120 – 370 VDC
Input frequency		47 – 440 Hz
Input current at full load (115 VAC / 230 VAC nominal input)	5.0 VDC model: other models:	285 mA / 170 mA typ. 425 mA / 255 mA typ.
Leakage current		80 μ A typ.
No-load power consumption		<0.3 W
Internal fuse		T2A 250VAC (both life and neutral)

Output Specifications

Voltage set accuracy		\pm 2% typ.
Minimum load		no minimum load required
Regulation	<ul style="list-style-type: none"> - Input variation - Load variation (0-100%) 	0.5% typ. single output models: 0.5% typ. dual output models: 2.5% typ.
Temperature coefficient		0.02 %/°C
Ripple and noise (20 MHz bandwidth)	5.0 VDC model: other models:	1.8% of Vout [Vp-p] max. 1.3% of Vout [Vp-p] max.
Current limitation		above 105 % of rated output current. hiccup, auto recovery
Overvoltage protection by Zehner diode (main output only)		120 % of Vout typ.
Short circuit protection		continuous, automatic recovery
Max. capacitive load	5.0 VDC model: 12 VDC model: 15 VDC model: 24 VDC model: \pm 12 VDC model: \pm 15 VDC model:	2200 μ F 1000 μ F 680 μ F 480 μ F 470 μ F (each output) 330 μ F (each output)

All specifications valid at nominal input voltage, full load and +25°C after warm-up time unless otherwise stated.

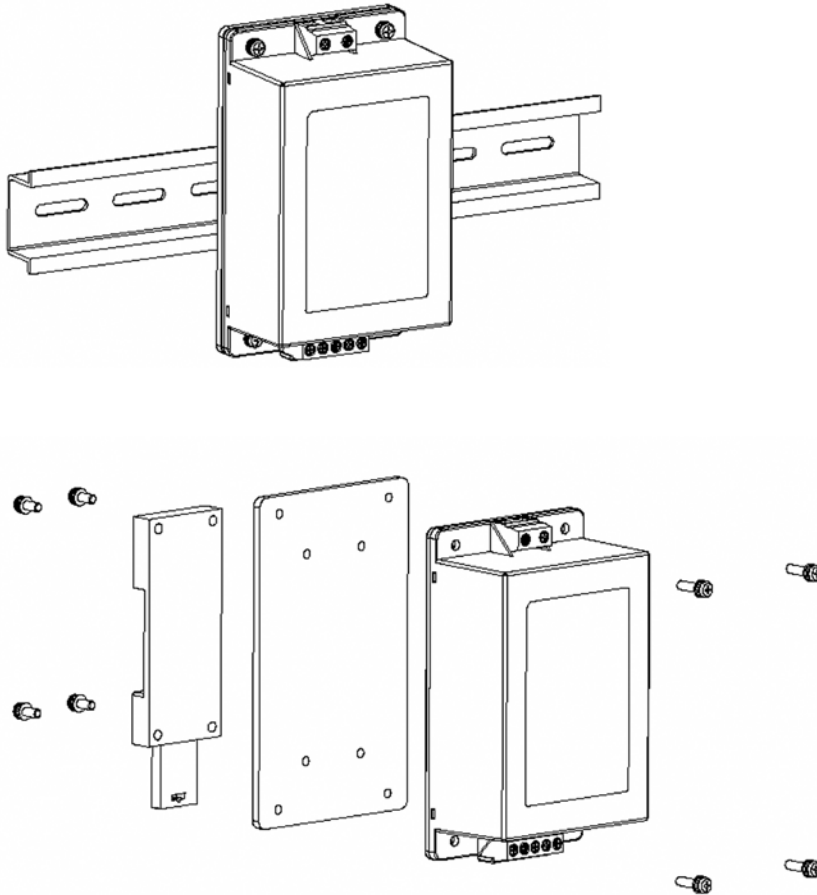
General Specifications

Temperature ranges	<ul style="list-style-type: none"> - Operating (natural convection cooling 20 LFM) - Power derating above +65°C - Storage (non operating) 	-40°C to +80°C 5.0 %/K -40°C to +95°C
Over temperature protection	shutdown: automatic recovery:	at 90°C at approx 67°C
Humidity (non condensing)		95 % rel max.
Altitude during operation		5000 m
Switching frequency (pulse width modulation PWM)		132 kHz typ.
Hold-up time	115 VAC: 230 VAC:	20 ms typ. 80 ms typ.
Isolation voltage	- Input/Output	4'000 VAC
Isolation resistance	- at 500 VDC	1'000 MOhm
Reliability /calculated MTBF (MIL-HDBK-217F, at +25°C, ground benign)		>400'000 h
EMI / RFI conducted and radiated		EN 55022, class B, FCC part 15, level B EN 55011 class B
Electromagnets compatibility (EMC), immunity	<ul style="list-style-type: none"> - Electrostatic discharge ESD - RF field immunity - Electrical fast transients - Surge - Conducted RF - Magnetic field immunity - Voltage dip and interruptions (115 VAC / 60 Hz) 	IEC / EN 61000-4-2, 8kV/4kV perf. criteria A IEC / EN 61000-4-3, 10V/m perf. criteria A IEC / EN 61000-4-4, ±2kV perf. criteria A IEC / EN 61000-4-5, ±1kV perf. criteria A IEC / EN 61000-4-6, 10 Vr.m.s perf. criteria A IEC / EN 61000-4-8, 30 A/m perf. criteria A IEC / EN 61000-4-11 30%,10ms perf. criteria A IEC / EN 61000-4-11 >95%, 5s perf. criteria B
Protection class II		according IEC/EN 60536
Safety standards	<ul style="list-style-type: none"> - Certification documents 	UL 60950-1, IEC/EN 60950-1, IEC 60601-1 3rd edition, 2 x MOPP ANSI/AAMI ES 60601-1:2005(R)2012 UL 508 for chassis mount version www.tracopower.com/overview/tmm24
Casing material		plastic resin (UL 94V-0 rated)
Environmental compliance	<ul style="list-style-type: none"> - Reach - RoHS 	www.tracopower.com/overview/tmm24 RoHS directive 2011/65/EU

All specifications valid at nominal input voltage, full load and +25°C after warm-up time unless otherwise stated.

DIN-Rail Mounting Kit

Adapter for mounting on DIN-rails as per EN 50022-35 (snap-on mounting)

**DIN-Rail Mounting Kit**

Order code	For models
TMP-MK1	TMM 24xxxC

Kit contains interface plate, DIN-rail clip and necessary screws.

All specifications valid at nominal input voltage, full load and +25°C after warm-up time unless otherwise stated.

