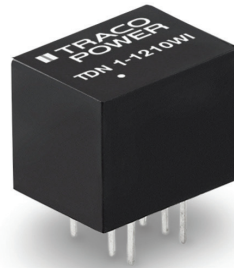


## DC/DC Converter

## TDN 1WI Series, 1 Watt

- Compact DIP package  
13,2 × 9,1 × 10,2 mm
- Fully regulated outputs
- I/O-isolation 1'500 VDC
- Operating temperature range  
-40°C to +90°C without derating
- Short circuit protection
- Remote On/Off
- 3-year product warranty



Also see:

**TDN 1WISM, SMD version**

[www.tracopower.com/products/tdn1wism.pdf](http://www.tracopower.com/products/tdn1wism.pdf)

The TDN 1WI Series comprises 1 Watt fully regulated, high performance DC/DC converters. They come in a compact cubical package of only 1.23 cm<sup>3</sup>. Full load operation is reliable up to 90°C environment temperature. With 1'500 VDC I/O-isolation voltage, external On/Off, and short current protection they cover a wide range of application when space is limited. The input of the converters is designed for a wide voltage range (4:1) and minimum load is not required.

Models				
Order code	Input voltage	Output voltage	Output current max.	Efficiency typ.
TDN 1-1210WI	4.5 – 18 VDC (12 VDC nominal)	3.3 VDC	300 mA	77 %
TDN 1-1211WI		5.0 VDC	200 mA	79 %
TDN 1-1212WI		12 VDC	90 mA	81 %
TDN 1-1213WI		15 VDC	70 mA	81 %
TDN 1-1215WI		24 VDC	45 mA	80 %
TDN 1-1221WI		± 5.0 VDC	±100 mA	77 %
TDN 1-1222WI		±12 VDC	±45 mA	80 %
TDN 1-1223WI		±15 VDC	±35 mA	81 %
TDN 1-2410WI	9 – 36 VDC (24 VDC nominal)	3.3 VDC	300 mA	76 %
TDN 1-2411WI		5.0 VDC	200 mA	78 %
TDN 1-2412WI		12 VDC	90 mA	81 %
TDN 1-2413WI		15 VDC	70 mA	81 %
TDN 1-2415WI		24 VDC	45 mA	80 %
TDN 1-2421WI		± 5.0 VDC	±100 mA	77 %
TDN 1-2422WI		±12 VDC	±45 mA	80 %
TDN 1-2423WI		±15 VDC	±35 mA	81 %
TDN 1-4810WI	18 – 75 VDC (48 VDC nominal)	3.3 VDC	300 mA	75 %
TDN 1-4811WI		5.0 VDC	200 mA	78 %
TDN 1-4812WI		12 VDC	90 mA	81 %
TDN 1-4813WI		15 VDC	70 mA	81 %
TDN 1-4815WI		24 VDC	45 mA	80 %
TDN 1-4821WI		± 5.0 VDC	±100 mA	77 %
TDN 1-4822WI		±12 VDC	±45 mA	80 %
TDN 1-4823WI		±15 VDC	±35 mA	81 %

### PROUDLY DISTRIBUTED BY:

#### TRACO POWER

- Compact DIP package  
13,2 x 9,1 x 10,2 mm
- Fully regulated outputs
- I/O-isolation 1'500 VDC
- Operating temperature range  
-40°C to +90°C without derating
- Short circuit protection
- Remote On/Off
- 3-year product warranty



The TDN 1WI Series comprises 1 Watt fully regulated, high performance DC/DC

#### TDN 1WI Series, 1 Watt

Power Sources Unlimited, Inc.  
200 Stonewall Boulevard, Suite 4  
Wrentham, MA 02093-2210  
WWW.PSUI.COM

1-800-966-PSUI (7784)  
Outside U.S. 508-384-1419  
Fax: 508-384-1896  
info@psui.com

**POWER  
WITHOUT  
LIMITS**

### Input Specifications

Input current no load	12 Vin models: 20 mA typ. 24 Vin models: 10 mA typ. 48 Vin models: 5 mA typ.
Surge voltage (1 sec. max.)	12 Vin models: 25 V max. 24 Vin models: 50 V max. 48 Vin models: 100 V max.
Reflected ripple current	12 Vin models: 15 mAp-p typ. 24 Vin models: 10 mAp-p typ. 48 Vin models: 5 mAp-p typ.
Conducted noise	EN 55022 class A or B with external components, <a href="#">see supporting documents</a>
ESD (electrostatic discharge)	EN 61000-4-2, air $\pm 8$ kV, contact $\pm 6$ kV, perf. criteria A
Radiated immunity	EN 61000-4-3, 10 V/m, perf. criteria A
Fast transient / surge (with external input capacitor)	EN 61000-4-4, $\pm 2$ kV, perf. criteria A EN 61000-4-5, $\pm 1$ kV perf. criteria A all models: Nippon chemi-con KY 220 $\mu$ F/100V
Conducted immunity	EN 61000-4-6, 10 Vrms, perf. criteria A
Magnetic field immunity	EN 61000-4-8, 100 A/m continuous, perf. criteria A 1000 A/m 1 second, perf criteria A

### Output Specifications

Voltage set accuracy	$\pm 1$ % max.
Regulation	– Input variation: 0.2 % max. – Load variation 0 – 100 %: 1 % max. – cross regulation - dual output: 5 % max. (asymmetrical load 25 % / 100 %)
Temperature coefficient	$\pm 0.02$ %/K typ.
Ripple and noise (20 MHz Bandwidth)	30 mVp-p typ.
Start up time	– Power ON: 10 ms max. (constant resistive load) – Remote ON: 10 ms max.
Transient response (25% load step change)	500 $\mu$ s typ.
Short circuit protection	continuous, automatic recovery
Capacitive load	–Single output: 3.3 VDC models: 1680 $\mu$ F max. 5.0 VDC models: 820 $\mu$ F max. 12 VDC models: 470 $\mu$ F max. 15 VDC models: 330 $\mu$ F max. 24 VDC models: 160 $\mu$ F max. –Dual output: $\pm 5.0$ VDC models: 470 $\mu$ F max. (each output) $\pm 12$ VDC models: 330 $\mu$ F max. (each output) $+15$ VDC models: 220 $\mu$ F max. (each output)

### General Specifications

Temperature ranges	– Operating (convection cooling 20LFM, 0,1m/s) – Case temperature – Storage temperature	–40°C to +90°C (without derating) +95°C max. –55°C to +125°C
Derating		6.7%/K above 90°C
Humidity (non condensing)		5 – 95 % rel H max.
Isolation voltage	– I/O isolation voltage (60 sec.)	1'500 VDC
Isolation capacitance		50 pF max.
Isolation resistance (@ 500 VDC)		>1 Gohm

**PROUDLY DISTRIBUTED BY:**



**Power Sources Unlimited, Inc.®**

Power Sources Unlimited, Inc.  
200 Stonewall Boulevard, Suite 4  
Wrentham, MA 02093-2210  
WWW.PSUI.COM

1-800-966-PSUI (7784)  
Outside U.S. 508-384-1419  
Fax: 508-384-1896  
info@psui.com

**POWER WITHOUT LIMITS**

### General Specifications

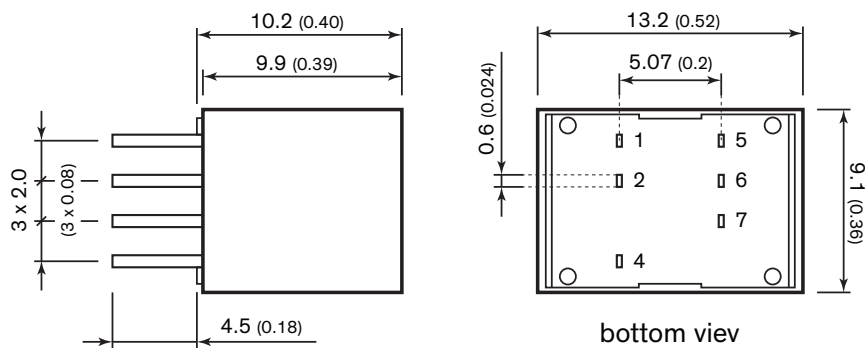
Reliability, calculated MTBF (MIL-HDBK-217F at +25°C, ground benign)	8'400'000 h
Switching frequency	100 kHz min. Pulse frequency modulation.
Thermal shock & vibration	MIL-STD-810F
Remote On/Off	-On: open circuit or high impedance -Off: 2 – 4 mA current applied via 1kOhm resistor -Off idle current: 2.5 mA max.
Environmental compliance	- Reach <a href="http://www.tracopower.com/products/reach-declaration.pdf">www.tracopower.com/products/reach-declaration.pdf</a> - RoHS RoHS directive 2011/65/EU

### Physical Specifications

Casing material	non-conducting plastic
Potting material	silicone (UL 94V-0 rated)
Package weight	2.7g (0.10oz)
Soldering temperature	max. 260°C / 6 sec

**Supporting Documents:** [www.tracopower.com/overview/tdn1wi](http://www.tracopower.com/overview/tdn1wi)

### Outline Dimensions



Pin-Out		
Pin	Single	Dual
1	+Vin (Vcc)	+Vin (Vcc)
2	-Vin (GND)	-Vin (GND)
4	On/Off	On/Off
5	no con.	-Vout
6	-Vout	Common
7	+Vout	+Vout

Dimensions in [mm], ( ) = Inch  
 Tolerances: x.x ±0.5 (±0.02)  
 Pin pitch tolerances ±0.25 (±0.01)  
 Pin dimension tolerance ±0.1 (±0.004)

**PROUDLY DISTRIBUTED BY:**



Power Sources Unlimited, Inc.  
 200 Stonewall Boulevard, Suite 4  
 Wrentham, MA 02093-2210  
 WWW.PSUI.COM

1-800-966-PSUI (7784)  
 Outside U.S. 508-384-1419  
 Fax: 508-384-1896  
 info@psui.com

**POWER  
 WITHOUT  
 LIMITS**