

Features:

- Pure sine wave output (THD < 3%@ linear load)
- Output frequency 50/60Hz switch selectable
- Output voltage / power saving mode selectable
- Low power saving mode < 2W
- Input & output completely isolated design
- High efficiency
- Capable of driving inductive & capacitive loads at the start moment
- A LED Indicator with twin color displays all operation status
- Loading and temperature controlled cooling fan
- Built in advanced microprocessor to make friendly interface with user.
- Protection: Input low voltage, Overload, Short circuit, Low battery alarm, Input over voltage, Over temperature



MODEL		SE350-112	SE350-124	SE350-148	SE350-212	SE350-224	SE350-248
Output	AC Voltage	100 / 110 / 115 / 120VAC ±5%			200 / 220 / 230 / 240VAC ±5%		
	Rated Power	350W					
	Surge Power	700W					
	Waveform	Pure Sine Wave (THD < 3% @rated VDC, linear load)					
	Frequency	50 / 60Hz ±0.1%					
Input	DC Voltage	12VDC	24VDC	48VDC	12VDC	24VDC	48VDC
	Voltage Range	10.0 ~ 15.5VDC	20.0 ~ 31.0VDC	40.0 ~ 62.0VDC	10.0 ~ 15.5VDC	20.0 ~ 31.0VDC	40.0 ~ 62.0VDC
	Efficiency (@rated Vdc.full load)	87%	88%	89%	89%	90%	91%
	No load power consumption	@12VDC	@24VDC	@48VDC	@12VDC	@24VDC	@48VDC
	On mode @ save mode	< 90 mA	< 60 mA	< 40 mA	< 90 mA	< 60 mA	< 40 mA
	On mode @ no load mode	< 0.65A	< 0.32A	< 0.16A	< 0.9A	< 0.5A	< 0.25A
Protection	BAT. Low Shutdown	10.0VDC	20.0VDC	40.0VDC	10.0VDC	20.0VDC	40.0VDC
	BAT. Low Alarm	10.5VDC	21.0VDC	42.0VDC	10.5VDC	21.0VDC	42.0VDC
	BAT. Low Restart	12.0VDC	24.0VDC	48.0VDC	12.0VDC	24.0VDC	48.0VDC
	BAT. High Alarm	15.0VDC	30.0VDC	60.0VDC	15.0VDC	30.0VDC	60.0VDC
	BAT. High Shutdown	15.5VDC	31.0VDC	62.0VDC	15.5VDC	31.0VDC	62.0VDC
	BAT. High Restart	14.5VDC	29.0VDC	58.0VDC	14.5VDC	29.0VDC	58.0VDC
	Protection	Overload, Short circuit, DC over/under voltage, Over temperature					
	DC Input Reverse Polarity	By fuse					
Environment	Working Temp.	-20°C ~ +60°C; refer to SE350 power de-rating curve					
	Storage Temp.	-30°C ~ +70°C					
	Working Humidity	Max. 90% RH non-condensing					
Safety & EMC	Safety Standards	—			Certified EN 60950-1		
	EMC Standards	—			Certified EN 55022 Class B; EN 61000-3-2; EN 61000-3-3; IEC 61000-4-2,3,4,5,6,8,11; EN 55024; EN 61000-6-3; EN 61204-3; EN 61000-6-1		
	E-Mark	—			Certified CISPR 25; ISO 7637-2		
Others	Dimension (WxHxD)	150x68x187 mm / 5.91x2.68x7.36 inch					
	Packing	1.6kg; 6pcs / 10.6kg / 1.45CUFT					
	Cooling	Load (53±5%) and temperature (55±5%) control fan					
	Application	Home and Office appliances, Portable Power Equipment, Vehicle, Yacht and Off-Grid Solar power systems ...etc.					

PROUDLY DISTRIBUTED BY:

05/12/17



Power Sources Unlimited, Inc.
200 Stonewall Boulevard, Suite 4
Wrentham, MA 02093-2210
WWW.PSUI.COM

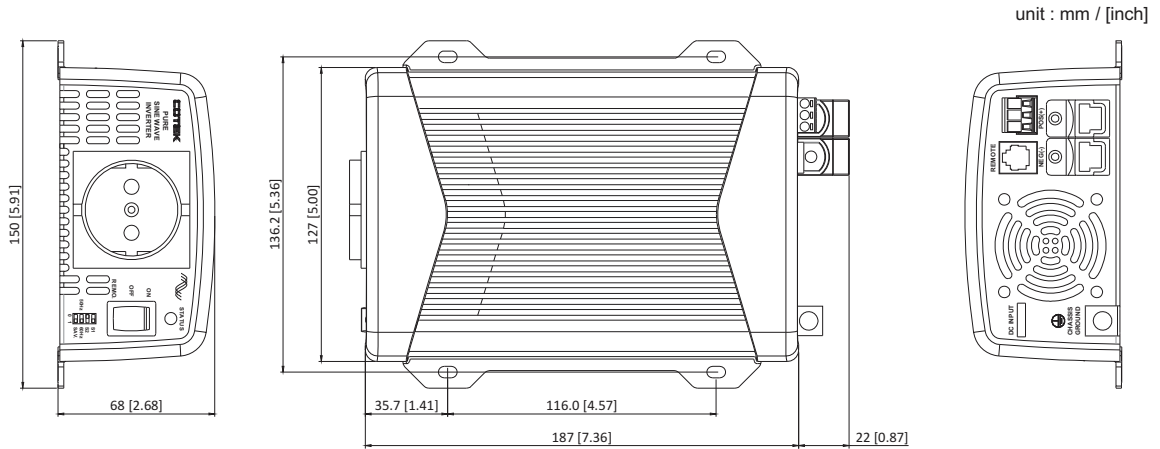
1-800-966-PSUI (7784)
Outside U.S. 508-384-1419
Fax: 508-384-1896
info@psui.com

**POWER
WITHOUT
LIMITS**

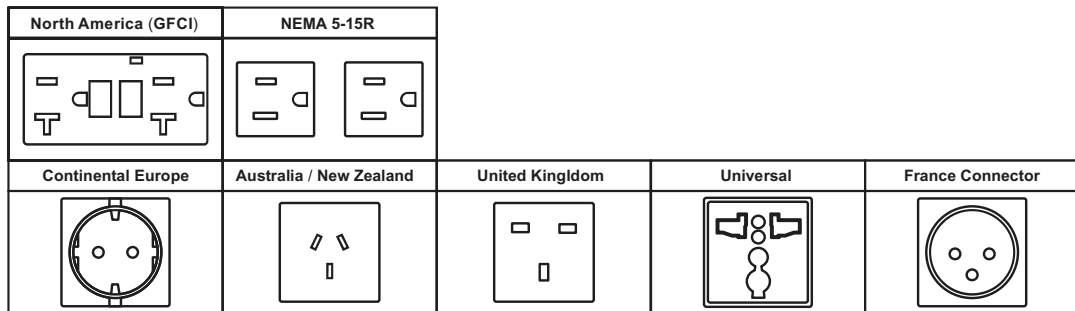
LED Status:

Status	LED Signal
Power on	
Normal	
Saving mode	
O/P overload (100%~115%)	
O/P short circuit	
Over temperature	
Shut down high battery	
High battery	
Low battery	
Shut down low battery	

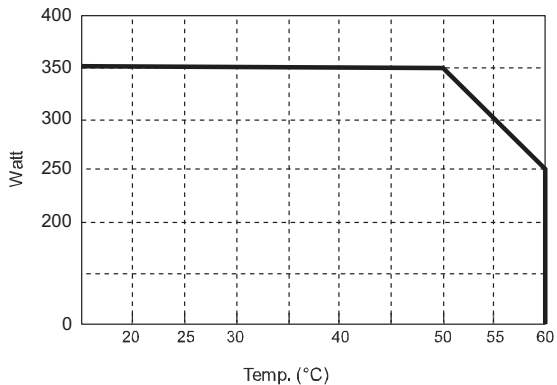
Mechanical Drawings:



Output socket (option):



De-rating Curve:



REV.A7

PROUDLY DISTRIBUTED BY:



Power Sources Unlimited, Inc.

Power Sources Unlimited, Inc.
200 Stonewall Boulevard, Suite 4
Wrentham, MA 02093-2210
WWW.PSUI.COM

1-800-966-PSUI (7784)
Outside U.S. 508-384-1419
Fax: 508-384-1896
info@psui.com

POWER WITHOUT LIMITS

05/12/17