

- High power density: 65W in 2" x 3" footprint
- UL/EN60601-1 and UL/EN60950-1 Medical and ITE Approvals
- IEC 60601-1-2 4th Edition Compliant
- <189uA @ 264VAC Earth Leakage Current
- 2 x MOPP Primary to Secondary
- Short Circuit and Overload and overvoltage Protection
- Meets Efficiency Level VI Requirements
- No load power consumption <0.2W



Electrical Specifications

<p>Input</p> <p>Input Voltage 90-264VAC Input Frequency 47-63 Hz Input Current (RMS) 1A max. @ 115VAC, 0.6A max. @ 230VAC Inrush Current <65A peak @ 115VAC, <130A peak @ 230VAC, cold start, 25°C No Load Power Consumption <200mW@230VAC, except 5V model <100mW Earth Leakage Current <189uA @264Vac Output Touch Current <100uA @264Vac</p>	<p>Environmental & Operating</p> <p>Operating Temperature -20°C to +70°C (Derate linearly 2.5% per °C from 41 to 70°C) Storage Temperature -20°C to +85°C Humidity 0% - 90% non-condensing Operating altitude <3000m MTBF: >100K hours per MIL-HDBK-217F at full load and 25°C ambient</p>
<p>Output</p> <p>Total Output 40-65W max. See table for details Output Voltage See table Hold Up Time 10mS typical at 75% and 115VAC nominal line Efficiency 86-88% average, 115VAC/230VAC (meets DOE level VI requirements) Minimum Load No minimum load</p>	<p>Compliance</p> <p>Safety Approvals</p> <p>USA ANSI/AAMI ES60601-1 Canada cUL ES60601-1 Europe TUV EN60601-1 3rd edition CB Report</p> <p>Isolation: 4000VAC input to output, 2 x MOPP 1500 VAC input to ground, 1 x MOPP 1500 VAC output to ground, 1 x MOPP</p> <p>EMC (IEC 60601-1-2:2014): FCC Class B Radiated & Conducted CISPR11 Class B Radiated & Conducted EN55011 Class B Radiated & Conducted</p> <p>Harmonic Currents IEC 61000-3-2 Voltage Flicker IEC 61000-3-3 Electrostatic Discharge IEC 61000-4-2: ±15kV Air, ±8kV contact Radiated Immunity IEC 61000-4-3: 10V/m EFT/Burst IEC 61000-4-4: ±2kV Surge Immunity IEC 61000-4-5: 1kV diff, 2kV com Conducted Immunity IEC 61000-4-6: 10Vrms Magnetic Field IEC 61000-4-8: 30A/m Dips / Interruptions IEC 61000-4-11: Voltage dip immunity, 30% reduction for 500ms, 100% reduction for 10ms</p>
<p>Protection</p> <p>Overvoltage 105-140% of nominal output voltage. Latching type, AC Recycle Overload 110%-160% of maximum output rating Auto recovery Short Circuit Auto recovery</p>	<p>General</p> <p>Dimensions 3"L x 2"W x 1.13"H Weight 0.26 pounds</p>

PROUDLY DISTRIBUTED BY:



Power Sources Unlimited, Inc.
200 Stonewall Boulevard, Suite 4
Wrentham, MA 02093-2210
WWW.PSUI.COM

1-800-966-PSUI (7784)
Outside U.S. 508-384-1419
Fax: 508-384-1896
info@psui.com

**POWER
WITHOUT
LIMITS**

06/06/17

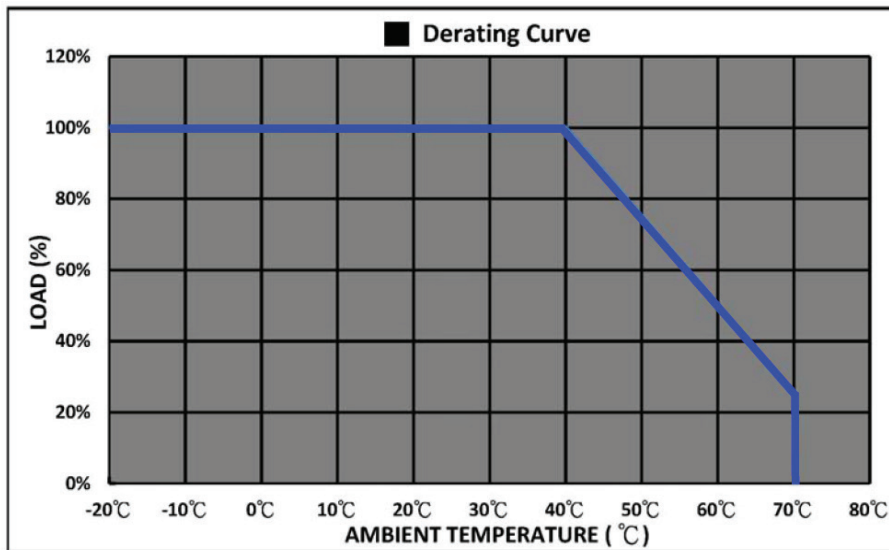
Models and Ratings

Model Number	Output Voltage	Minimum Load	Maximum Load with Convection Cooling	Output Power	Output regulation ¹	Ripple & Noise (Vp-p) ²	Efficiency Level
PPWAM65-10A	5V	0A	8.00A	40W	+/-3%	150mV	VI
PPWAM65-12A	12V	0A	5.42A	65W	+/-3%	240mV	VI
PPWAM65-13A	15V	0A	4.33A	65W	+/-3%	300mV	VI
PPWAM65-13-2A	19V	0A	3.42A	65W	+/-3%	300mV	VI
PPWAM65-14A	24V	0A	2.71A	65W	+/-3%	300mV	VI
PPWAM65-15A	28V	0A	2.32A	65W	+/-3%	300mV	VI
PPWAM65-18A	48V	0A	1.35A	65W	+/-3%	300mV	VI

Note:

1. At 25°C including initial tolerance, line voltage, load currents and output voltages adjusted to factory settings.
2. Measured at 20MHz bandwidth with a 100uF electrolytic capacitor and 0.1uF ceramic capacitor in parallel at the output connector.

Derating Curve



PROUDLY DISTRIBUTED BY:

06/06/17

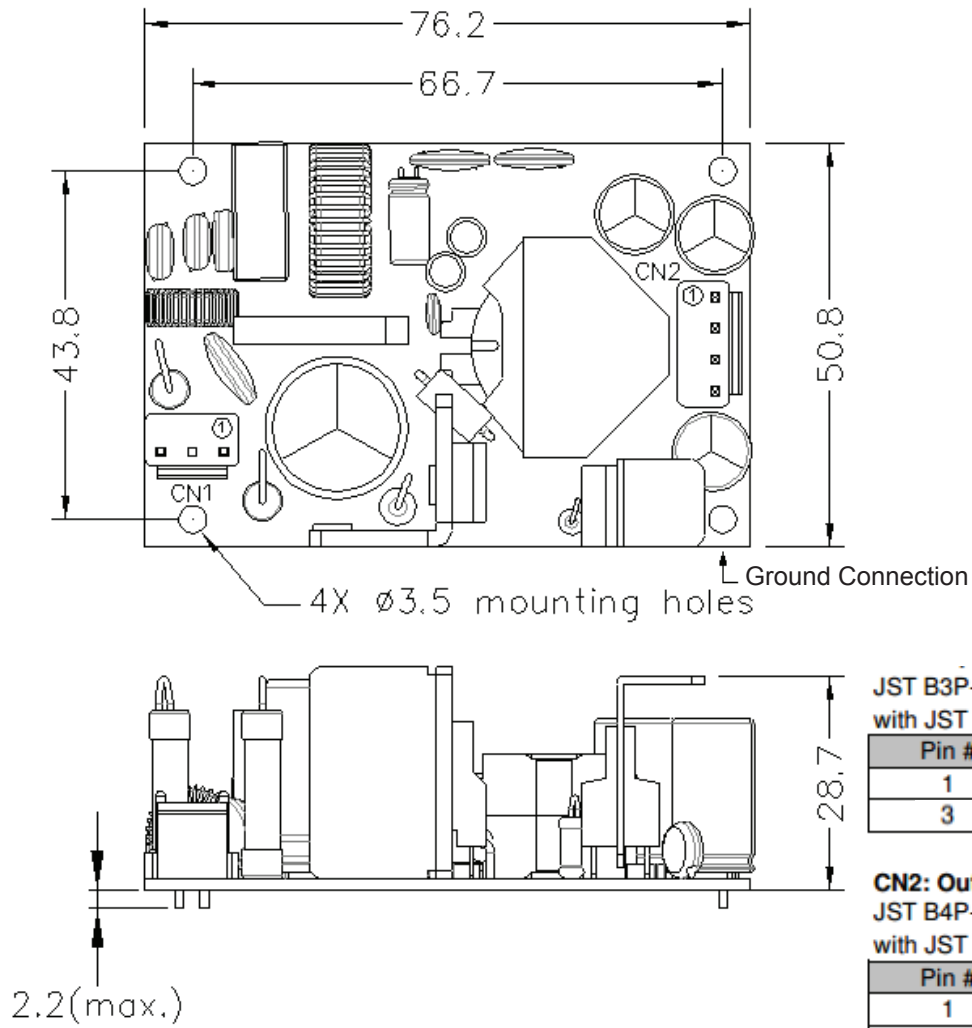


Power Sources Unlimited, Inc.
 200 Stonewall Boulevard, Suite 4
 Wrentham, MA 02093-2210
 WWW.PSUI.COM

1-800-966-PSUI (7784)
 Outside U.S. 508-384-1419
 Fax: 508-384-1896
 info@psui.com

**POWER
 WITHOUT
 LIMITS**

Mechanical Outline



JST B3P-VH-B pitch: 7.92mm or equivalent, mates with JST VHR-3N or equivalent

Pin #	Signal
1	AC Line
3	AC Neutral

CN2: Output Connector

JST B4P-VH-B pitch: 3.96mm or equivalent, mates with JST VHR-4N or equivalent

Pin #	Signal
1	-Vo
2	-Vo
3	+Vo
4	+Vo

PROUDLY DISTRIBUTED BY:



**Power
Sources
Unlimited, Inc.®**

Power Sources Unlimited, Inc.
200 Stonewall Boulevard, Suite 4
Wrentham, MA 02093-2210
WWW.PSUI.COM

1-800-966-PSUI (7784)
Outside U.S. 508-384-1419
Fax: 508-384-1896
info@psui.com

06/06/17

**POWER
WITHOUT
LIMITS**