

- High Efficiency (Up to 91%)
- Active Power Factor Correction
- Constant Output Voltage
- Up to 305VAC Operation
- Waterproof to IP67
- Comprehensive Protection Circuitry
- UL8750 & EN61347 Safety Approvals
- RoHS Compliant
- 3 Year Warranty

Electrical Specifications

Input

Input Voltage	90-305VAC
Input Frequency	47-63 Hz
Input Current	0.9A @ 100VAC 0.42A @ 220VAC
Inrush Current	60A @ 220VAC/25°C/Cold Start
Power Factor	See table
Leakage Current	1mA @ 277VAC, 60Hz
No Load Power Dissipation	5W

Output

Output Voltage	See table
Start Up Delay	1.2 second maximum at 120VAC
Line Regulation	±1%
Load Regulation	±2%
Ripple & Noise	2% pk-pk, 20MHz bandwidth
Overvoltage Protection	Latch mode, 185% max; recycle AC power to reset
Overload Protection	Hiccup mode, 120-150%; auto restart when fault removed
Short Circuit Protection	Hiccup mode; auto restart when fault removed
Temperature Coefficient	<0.2%/°C

Note: All specifications typical at 25°C unless noted.

General

Efficiency	See tables
Isolation	3kVAC input to output 1.5kVAC input to ground 0.5kVAC output to ground
MTBF (MIL-HDBK-217F)	395,000 Hours @120VAC, 80% load, 25°C
Dimensions	5.91"L x 2.66"W x 1.44"H
Net Weight	1.7 lbs.

Environmental

Operating Temp.	-35°C to +70°C maximum, see derating curve
Operating Humidity	10% to 100% RH, non-condensing
Storage Temperature	-40°C to +85°C

Safety & EMC

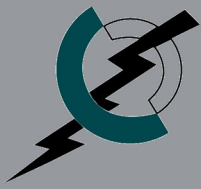
Safety Approvals

USA	UL8750, UL1310 Class 2, UL1012
Canada	Approved to CAN/CSA-C22.2 No. 223-M91 CSA-C22.2 No. 107.1
Europe	EN61347, EN61347-2-13
EMI	EN55015 (Radiated & Conducted)
Harmonic Currents	EN61000-3-2
Voltage Flicker	EN61000-3-3
ESD Immunity	EN61000-4-2; 8kV air; 4kV contact
Radiated Immunity	EN61000-4-3
EFT/Burst	EN61000-4-4
Surge	EN61000-4-5 4kV L-L, 6kV L-E
Conducted Immunity	EN61000-4-6
Dips / Interruptions	EN61000-4-11

Your Partners in Power..... **Power Partners, Inc. | 43 Broad Street | Hudson, MA 01749**
Tel: (978)567-9600 | Fax: (978)567-9601
Website: www.powerpartners-inc.com

Specifications subject to change.
PIL76U-V: 11-17-13

Distributed by:
 Power Sources Unlimited, Inc. Wrentham, MA • Tel: 508-384-1419 • sales@psui.com • www.psui.com

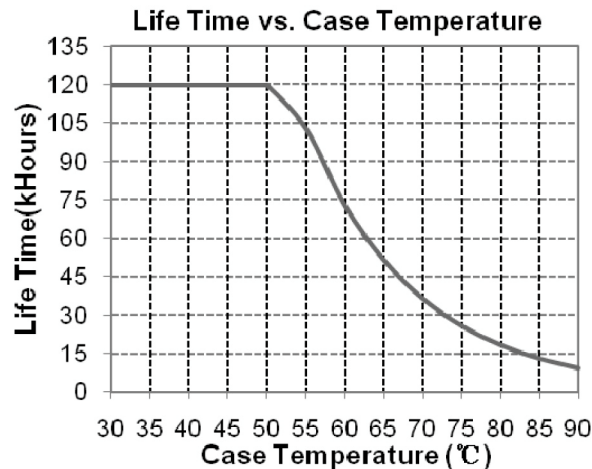


Models and Ratings Chart

Output Voltage	Input Voltage Range	Output Current Range	Max. Output Power	Typical Efficiency (1)	Power Factor		Model Number (2, 3)
					110Vac	220Vac	
12 V	90 ~ 305 Vac	0~5.00 A	60 W	87%	0.99	0.96	PIL76U-V12-SS(ST)4
24 V	90 ~ 305 Vac	0~3.17 A	76 W	88%	0.99	0.96	PIL76U-V24-SS(ST)4
36 V	90 ~ 305 Vac	0~2.11 A	76 W	89%	0.99	0.96	PIL76U-V36-SS(ST)4
42 V	90 ~ 305 Vac	0~1.81 A	76 W	89%	0.99	0.96	PIL76U-V42-SS(ST)5
48 V	90 ~ 305 Vac	0~1.58 A	76 W	90%	0.99	0.96	PIL76U-V48-SS(ST)5
54 V	90 ~ 305 Vac	0~1.41 A	76 W	91%	0.99	0.96	PIL76U-V54-SS(ST)5

- (1) Measured at full load and 220 Vac input.
- (2) The Suffix 'SS' stands for AC 2pin input and 'ST' stands for AC 3pin input
- (3) A suffix -xxxx may be added to denote variations or modifications to the base product, where x can be any alphanumeric character or blank.
- (4) Class 2 output (USR & CNR).
- (5) Class 2 output (USR), Non-Class 2 output (CNR).

Life Time vs. Case Temperature Curve



Your Partners in Power.....

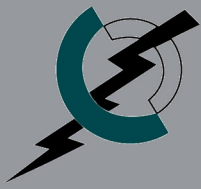
Power Partners, Inc. | 43 Broad Street | Hudson, MA 01749
 Tel: (978)567-9600 | Fax: (978)567-9601
 Website: www.powerpartners-inc.com

Specifications subject to change.
 PIL76U-V: 11-17-13

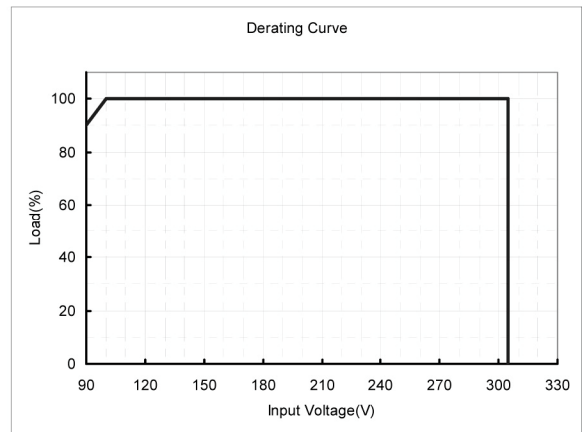
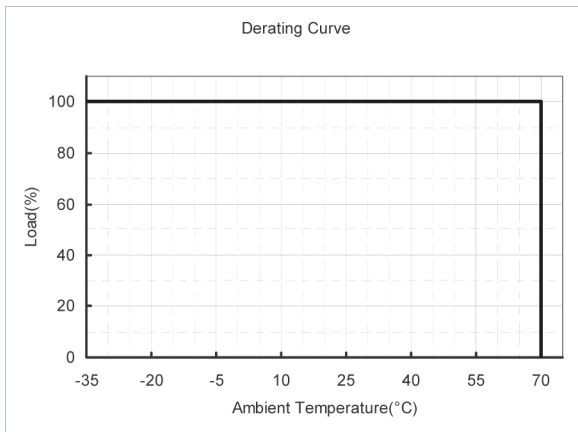


Distributed by:

Power Sources Unlimited, Inc. Wrentham, MA • Tel: 508-384-1419 • sales@psui.com • www.psui.com



Derating Curve



Your Partners in Power.....

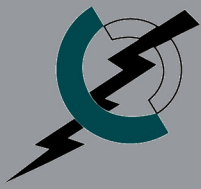
Power Partners, Inc. | 43 Broad Street | Hudson, MA 01749
Tel: (978)567-9600 | Fax: (978)567-9601
Website: www.powerpartners-inc.com

Specifications subject to change.
PIL76U-V: 11-17-13



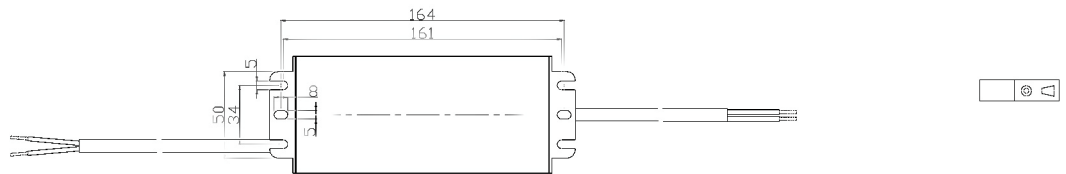
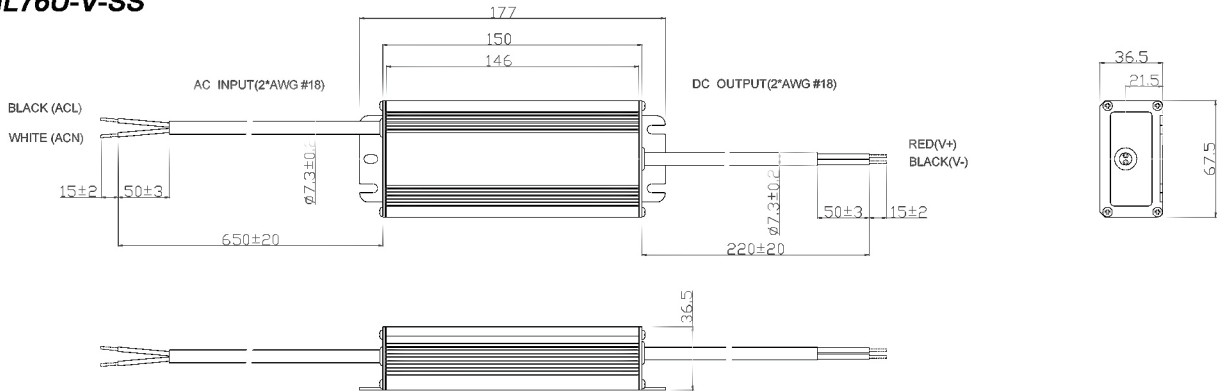
Distributed by:

Power Sources Unlimited, Inc. Wrentham, MA • Tel: 508-384-1419 • sales@psui.com • www.psui.com

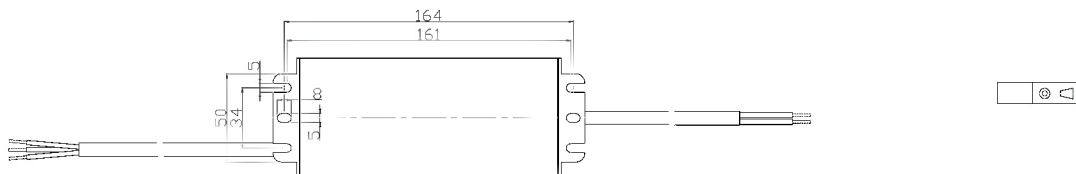
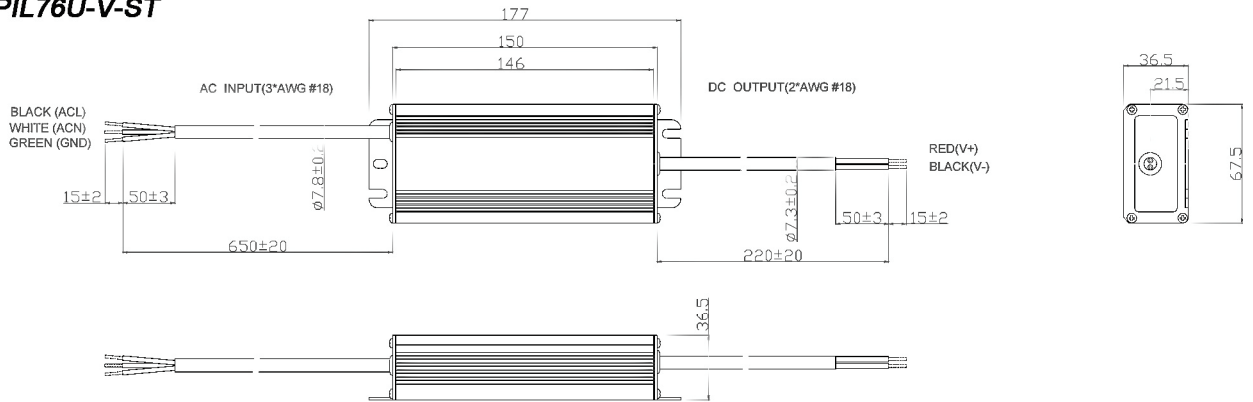


Mechanical Outline

PIL76U-V-SS



PIL76U-V-ST



Your Partners in Power.....

Power Partners, Inc. | 43 Broad Street | Hudson, MA 01749
Tel: (978)567-9600 | Fax: (978)567-9601
Website: www.powerpartners-inc.com

Specifications subject to change.
PIL76U-V: 11-17-13



Distributed by:
Power Sources Unlimited, Inc. Wrentham, MA • Tel: 508-384-1419 • sales@psui.com • www.psui.com