



- High Efficiency (Up to 93%)
- Active Power Factor Correction
- Constant Output Voltage
- Up to 305VAC Operation
- Waterproof to IP67
- Comprehensive Protection Circuitry
- UL8750 & EN61347 Safety Approvals
- RoHS Compliant
- 3 Year Warranty

Electrical Specifications

Input

Input Voltage	90-305VAC
Input Frequency	47-63 Hz
Input Current	1.75A @ 100VAC 0.8A @ 220VAC
Inrush Current	65A @ 220VAC/25°C/Cold Start
Power Factor	See table
Leakage Current	1mA @ 277VAC, 60Hz
No Load Power Dissipation	2W

Output

Output Voltage	See table
Start Up Delay	1.5 second maximum at 120VAC
Line Regulation	±1%
Load Regulation	±2%
Ripple & Noise	2% pk-pk, 20MHz bandwidth
Overvoltage Protection	Latch mode, 110%-130%; recycle power to reset
Overload Protection	Hiccup mode, 110%-180%; auto restart when fault removed
Short Circuit Protection	Hiccup mode; auto restart when fault removed
Temperature Coefficient	<0.2%/°C

Note: All specifications typical at 25°C unless noted.

General

Efficiency	See tables
Isolation	3kVAC input to output 1.5kVAC input to ground 0.5kVAC output to ground
MTBF (MIL-HDBK-217F)	261,000 Hours @120VAC, 80% load, 25°C
Dimensions	7.83"L x 2.66"W x 1.56"H
Net Weight	2.2 lbs.

Environmental

Operating Temp.	-35°C to +70°C maximum, see derating curve
Operating Humidity	10% to 100% RH, non-condensing
Storage Temperature	-40°C to +85°C

Safety & EMC

Safety Approvals

USA	UL8750 Approved UL1012
Canada	Approved to CSA-C22.2 No. 107.1
Europe	EN61347, EN61347-2-13 EN55015 (Radiated & Conducted)
EMI	EN61000-3-2
Harmonic Currents	EN61000-3-3
Voltage Flicker	EN61000-4-2; 8kV air; 4kV contact
ESD Immunity	EN61000-4-3
Radiated Immunity	EN61000-4-4
EFT/Burst	EN61000-4-5
Surge	EN61000-4-6
Conducted Immunity	EN61000-4-11
Dips / Interruptions	

Your Partners in Power..... Power Partners, Inc. | 43 Broad Street | Hudson, MA 01749
Tel: (978)567-9600 | Fax: (978)567-9601
Website: www.powerpartners-inc.com

Specifications subject to change.
PIL150U-V: 11-17-13



Distributed by:

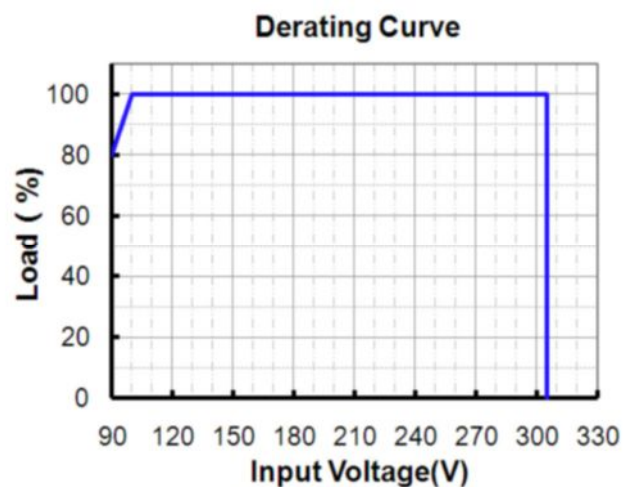
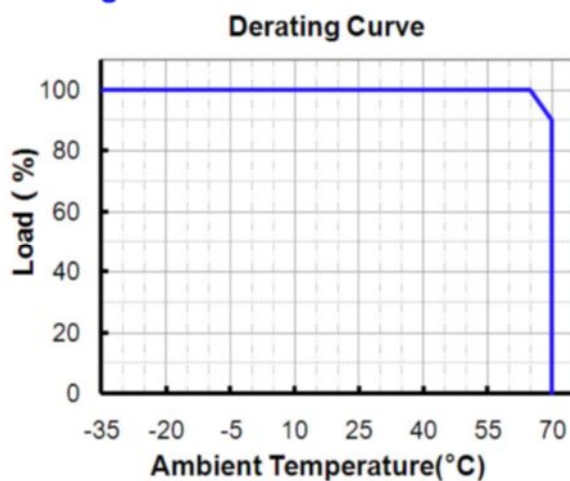
Power Sources Unlimited, Inc. Wrentham, MA • Tel: 508-384-1419 • sales@psui.com • www.psui.com

Models and Ratings Chart

Output Voltage	Output Voltage Range	Output Current Range	Output Power	Efficiency (Note 1)	Power Factor 120VAC	Power Factor 220VAC	Model Number (Note2)
12VDC	90-305VAC	0-12.50A	150W	92.0%	0.99	0.96	PIL150U-V12-ST
20VDC	90-305VAC	0-7.50A	150W	92.0%	0.99	0.96	PIL150U-V20-ST
24VDC	90-305VAC	0-6.25A	150W	93.0%	0.99	0.96	PIL150U-V24-ST
36VDC	90-305VAC	0-4.17A	150W	93.0%	0.99	0.96	PIL150U-V36-ST
48VDC	90-305VAC	0-3.13A	150W	93.0%	0.99	0.96	PIL150U-V48-ST
54VDC	90-305VAC	0-2.78A	150W	93.0%	0.99	0.96	PIL150U-V54-ST

- (1) Measured at full load and 220 Vac input.
 (2) A suffix -xxxx may be added to denote variations or modifications to the base product, where x can be any alphanumeric character or blank.

Derating Curve



Your Partners in Power.....

Power Partners, Inc. | 43 Broad Street | Hudson, MA 01749
Tel: (978)567-9600 | Fax: (978)567-9601
Website: www.powerpartners-inc.com

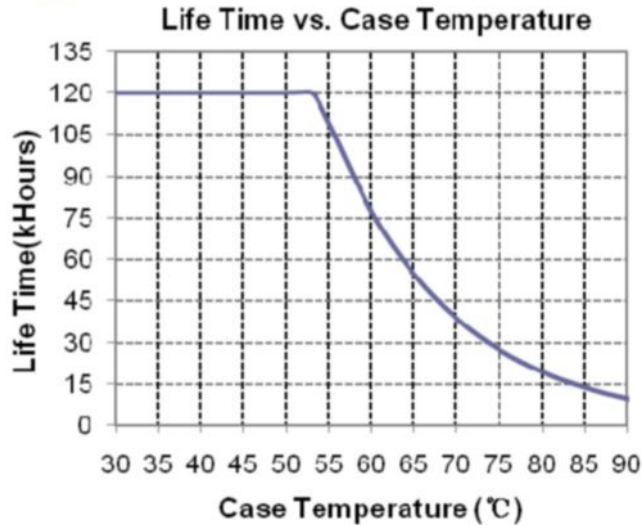
Specifications subject to change.
 PIL150U-V: 11-17-13



Distributed by:
Power Sources Unlimited, Inc. Wrentham, MA • Tel: 508-384-1419 • sales@psui.com • www.psui.com



Life Time vs. Case Temperature Curve



RoHS Compliance

Our products comply with the European Directive 2002/95/EC, calling for the elimination of lead and other hazardous substances from electronic products.

Your Partners in Power.....

Power Partners, Inc. | 43 Broad Street | Hudson, MA 01749
Tel: (978)567-9600 | Fax: (978)567-9601
Website: www.powerpartners-inc.com

Specifications subject to change.
PIL150U-V: 11-17-13

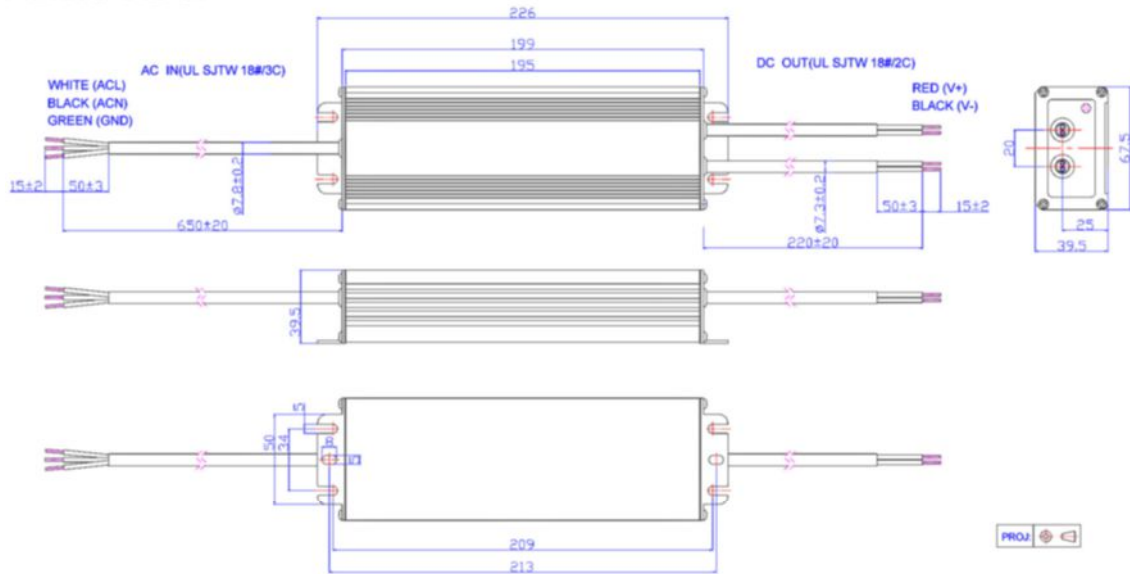


Distributed by:

Power Sources Unlimited, Inc. Wrentham, MA • Tel: 508-384-1419 • sales@psui.com • www.psui.com

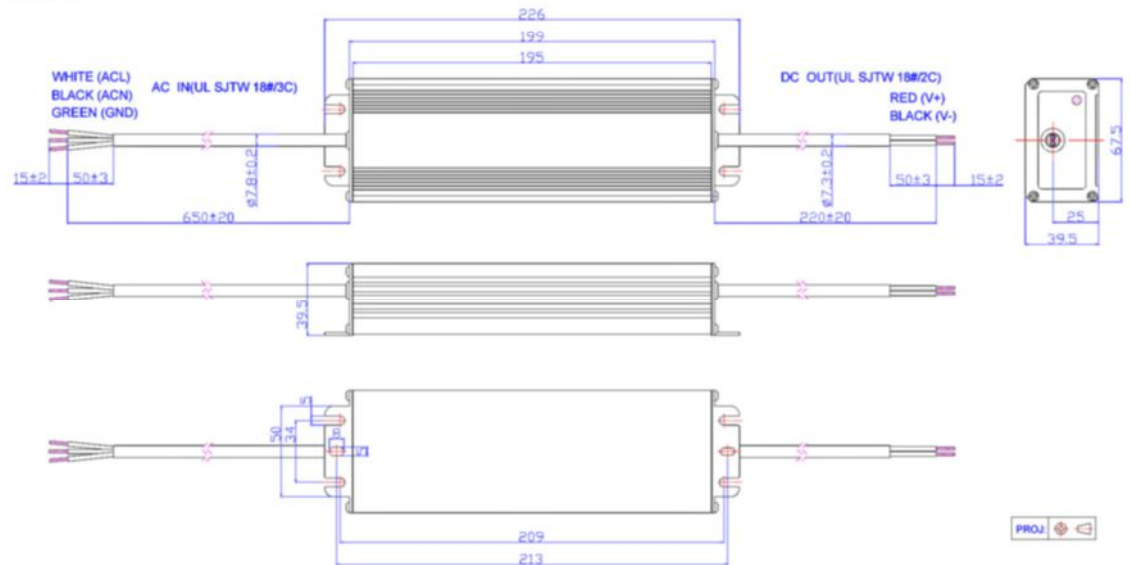
Mechanical Outline

PIL150U-V12-ST



Note: The 2 DC output cables are connected in parallel internally because one AWG #18 wire can only carry 10A. Please connect the 2 red wires together and 2 black wires together in application, or ensure each cable carries same current.

Others



Your Partners in Power.....

Power Partners, Inc. | 43 Broad Street | Hudson, MA 01749
Tel: (978)567-9600 | Fax: (978)567-9601
Website: www.powerpartners-inc.com

Specifications subject to change.
PIL150U-V: 11-17-13



Distributed by:
Power Sources Unlimited, Inc. Wrentham, MA • Tel: 508-384-1419 • sales@psui.com • www.psui.com