



- Class II Configuration
- Efficiency Level VI
- Optional USB (5V only) or Cable Output
- Short Circuit Protection
- Overload Protection
- No Load Operation



### Electrical Specifications

#### Input

Input Voltage	90-264VAC
Input Frequency	47-63 Hz
Input Current	<0.6A, 115VAC– 230VAC
Safety Isolation	3.0kVAC Input to Output
Inrush Current	<30A peak @ 115VAC, cold start at 25°C <60A peak @ 230VAC, cold start at 25°C
No Load Power	< 100mW

#### Output

Total Output	6W
Output Voltage	See table
Hold Up Time	>8.3 msec @ full load and 115VAC/60Hz input
Turn On Time	<3 seconds
Efficiency	DOE Level VI Compliant
Minimum Load	No minimum load
Switching Frequency	50 kHz typical
Line Regulation	<± 1% of rated output voltage at full load

#### Protection

Overvoltage	150% Max. of rated voltage. Latching mode. Cycle AC for recovery
Short Circuit	Hiccup mode. Auto recovery.
Overcurrent	150% Max. of rated current. Auto-restart when fault removed.

#### Environmental & Operating

Operating Temperature	0°C to +40°C
Storage Temperature	-20°C to +85°C
Operating Altitude	<5000m
Operating Humidity	10% - 90% non-condensing
Storage Humidity	5% - 90% non-condensing
MTBF:	>100,000 hours per MIL-HDBK-217F at full load and 25°C ambient

#### Compliance

##### Safety Approvals

USA	UL60950-1
Canada	cUL60950-1
Europe	TUV EN60950-1/A12: 2011 CB Report

##### EMC:

FCC Class B Radiated & Conducted  
CISPR22 Class B Radiated & Conducted  
EN55022 Class B Radiated & Conducted

##### Harmonic Currents Voltage Flicker Electrostatic Discharge Radiated Immunity EFT/Burst Surge Immunity Conducted Immunity Magnetic Field Dips / Interruptions

IEC 61000-3-2  
IEC 61000-3-3  
IEC 61000-4-2: 8kV Air, 6kV contact  
IEC 61000-4-3: 3V/m  
IEC 61000-4-4: +/-1kV  
IEC 61000-4-5: 2005 1kV diff, 2kV com  
IEC 61000-4-6: 3Vrms  
IEC 61000-4-8: 1A/m  
IEC 61000-4-11: 30% reduction for 500ms, >95% reduction for 10ms.

#### General

Dimensions	2.12"(54mm)L x 1.61"(41mm)W x 0.94"(24mm)H
AC Input Output Plug	Interchangeable Plugs Barrel Type: 5.5mm x 2.1mm x 9.5mm Center positive (others upon request) Optional USB output for 5V models
Weight	0.3 pounds

PROUDLY DISTRIBUTED BY:



Power  
Sources  
Unlimited, Inc.

Power Sources Unlimited, Inc.  
200 Stonewall Boulevard, Suite 4  
Wrentham, MA 02093-2210  
WWW.PSUI.COM

1-800-966-PSUI (7784)  
Outside U.S. 508-384-1419  
Fax: 508-384-1896  
info@psui.com

POWER  
WITHOUT  
LIMITS



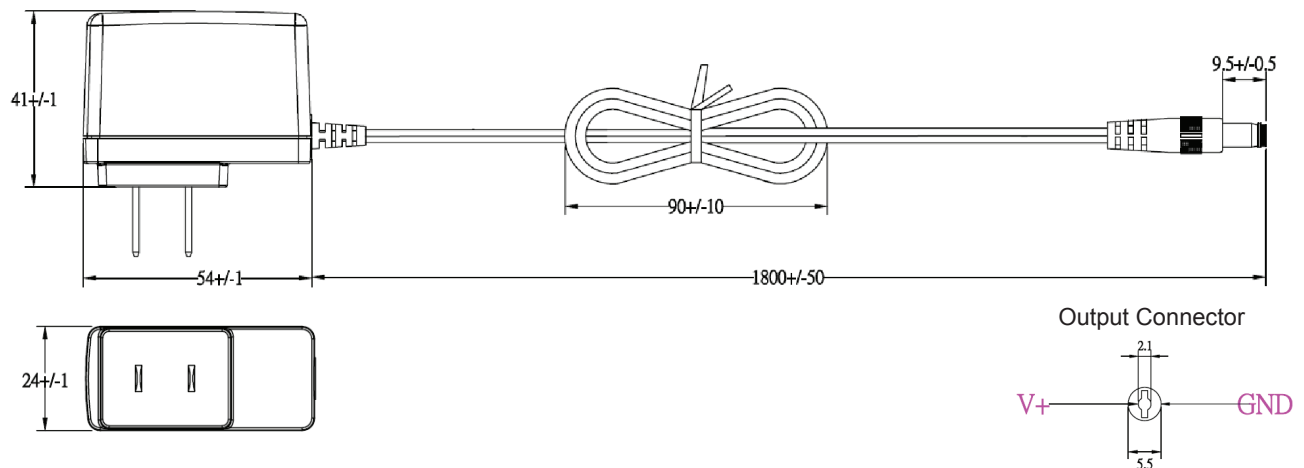
### Models and Ratings Chart

Model No.	Output voltage	Current	Total Power	Output Regulation	Ripple & Noise (Vp-p)	Efficiency Level
PEAW6NA-10-B1	5VDC	1.20A	6W	± 5%	100mV	VI
PEAW6NA-10-USB	5VDC	1.20A	6W	± 5%	100mV	VI
PEAW6NA-11-B1	9VDC	0.66A	6W	± 5%	180mV	VI
PEAW6NA-12-B1	12VDC	0.50A	6W	± 5%	180mV	VI

#### Notes:

- Ripple & Noise is measured using a 20MHz bandwidth oscilloscope with a 0.1uf ceramic capacitor and 4.7uf electrolytic capacitor in parallel across the output at full load and nominal line voltage.
- PEAW6NA-10-USB has a standard USB A output port. All other models have a 4ft cable terminated with a 5.5 x 2.1mm barrel connect-or. Consult PPI for custom connectors.

### Mechanical Outline



PROUDLY DISTRIBUTED BY:



Power Sources Unlimited, Inc.

Power Sources Unlimited, Inc.  
200 Stonewall Boulevard, Suite 4  
Wrentham, MA 02093-2210  
WWW.PSUI.COM

1-800-966-PSUI (7784)  
Outside U.S. 508-384-1419  
Fax: 508-384-1896  
info@psui.com

**POWER  
WITHOUT  
LIMITS**