



# PEAMW6NA Series 6W Power Supply



- Class II Double Insulated (2 MOPP Rated)
- Meets Efficiency Level VI Requirements
- Optional USB (5V only) or Cable Output
- Short Circuit Protection
- Overload Protection
- No Load Operation



## Electrical Specifications

### Input

Input Voltage	90-264VAC
Input Frequency	47-63 Hz
Input Current	<0.6A, 115VAC □ 230VAC
Safety Isolation	4.0kVAC Input to Output
Inrush Current	<30A peak @ 115VAC, cold start at 25°C <60A peak @ 230VAC, cold start at 25°C
No Load Power	< 100mW

### Output

Total Output	6W
Output Voltage	See table
Hold Up Time	>8.3 msec @ full load and 115VAC/60Hz input
Turn On Time	<3 seconds
Efficiency	DOE Level VI Compliant
Minimum Load	No minimum load
Switching Frequency	50 kHz typical
Line Regulation	<± 1% of rated output voltage at full load

### Protection

Overvoltage	150% Max. of rated voltage. Latching mode. Cycle AC for recovery
Short Circuit	Hiccup mode. Auto recovery.
Overcurrent	150% Max. of rated current. Auto-restart when fault removed.

### Environmental & Operating

Operating Temperature	0°C to +40°C
Storage Temperature	-20°C to +85°C
Operating Altitude	<5000m
Operating Humidity	10% - 90% non-condensing
Storage Humidity	5% - 90% non-condensing
MTBF:	>100,000 hours per MIL-HDBK-217F at full load and 25°C ambient

### Compliance

#### Safety Approvals

USA	ANSI/AAMI ES60601-1
Canada	cUL ES60601-1
Europe	TUV EN60601-1 CB Report CE Mark

#### EMC (IEC 60601-1-2:2014):

Harmonic Currents	FCC Class B Radiated & Conducted EN55011: Class B
Voltage Flicker	IEC 61000-3-2
Electrostatic Discharge	IEC 61000-3-3
Radiated Immunity	IEC 61000-4-2: ±15kV Air, ±8kV contact
EFT/Burst	IEC 61000-4-3: 10V/m
Surge Immunity	IEC 61000-4-4: ±2kV
Conducted Immunity	IEC 61000-4-5: 1kV diff, 2kV com
Magnetic Field	IEC 61000-4-6: 10Vrms
Dips / Interruptions	IEC 61000-4-8: 30A/m IEC 61000-4-11: Voltage dip immunity, 30% reduction for 500ms, 100% reduction for 10ms

### General

Dimensions	2.12"(54mm)L x 1.61"(41mm)W x 0.94"(24mm)H
AC Input	Interchangeable Plugs
Output Plug	Barrel Type: 5.5mm x 2.1mm x 9.5mm Center positive (others upon request) Optional USB output for 5V models
Weight	0.3 pounds

PROUDLY DISTRIBUTED BY:



Power  
Sources  
Unlimited, Inc.

Power Sources Unlimited, Inc.  
200 Stonewall Boulevard, Suite 4  
Wrentham, MA 02093-2210  
WWW.PSUI.COM

1-800-966-PSUI (7784)  
Outside U.S. 508-384-1419  
Fax: 508-384-1896  
info@psui.com

POWER  
WITHOUT  
LIMITS

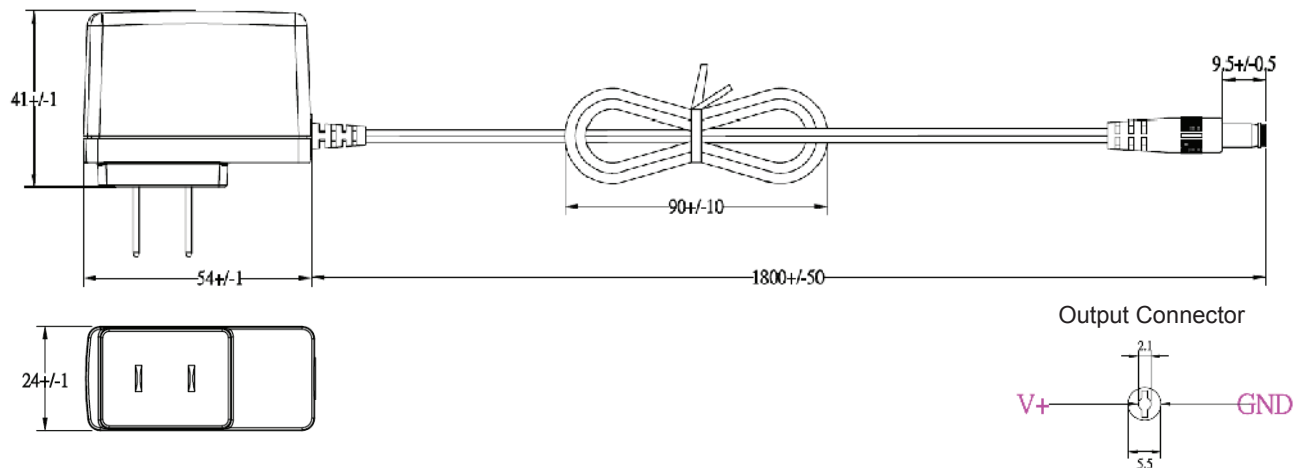
### Models and Ratings Chart

Model No.	Output voltage	Current	Total Power	Output Regulation	Ripple & Noise (Vp-p)	Efficiency Level
PEAMW6NA-10-B1	5VDC	1.20A	6W	± 5%	100mV	VI
PEAMW6NA-10-USB	5VDC	1.20A	6W	± 5%	100mV	VI
PEAMW6NA-11-B1	9VDC	0.66A	6W	± 5%	180mV	VI
PEAMW6NA-12-B1	12VDC	0.50A	6W	± 5%	180mV	VI

**Notes:**

- Ripple & Noise is measured using a 20MHz bandwidth oscilloscope with a 0.1uf ceramic capacitor and 4.7uf electrolytic capacitor in parallel across the output at full load and nominal line voltage.
- PEAMW6NA-10-USB has a standard USB A output port. All other models have a 4ft cable terminated with a 5.5 x 2.1mm barrel connect-or. Consult PPI for custom connectors.

### Mechanical Outline



**PROUDLY DISTRIBUTED BY:**



**Power  
Sources  
Unlimited, Inc.**

Power Sources Unlimited, Inc.  
200 Stonewall Boulevard, Suite 4  
Wrentham, MA 02093-2210  
WWW.PSUI.COM

1-800-966-PSUI (7784)  
Outside U.S. 508-384-1419  
Fax: 508-384-1896  
info@psui.com

**POWER  
WITHOUT  
LIMITS**