



Models and Ratings Chart

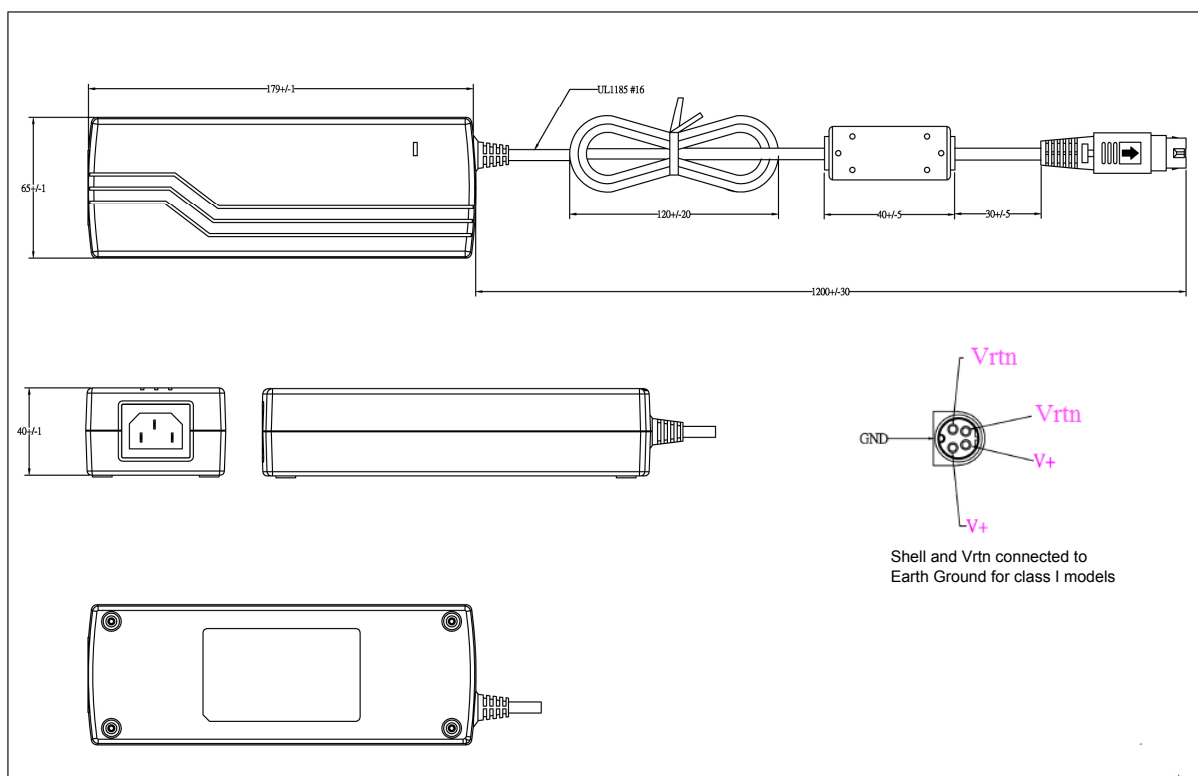
Model	Voltage	Current	Total Power	Load Regulation	Line Regulation	Ripple & Noise (p-p)
PEAD150B-12	12V DC	12.5A	150W	+/-5%	+/-1%	240mV
PEAD150B-13	15V DC	10.00A	150W	+/-5%	+/-1%	240mV
PEAD150B-13-2	19V DC	7.89A	150W	+/-5%	+/-1%	360mV
PEAD150B-14	24V DC	6.25A	150W	+/-5%	+/-1%	360mV
PEAD150B-17	36V DC	4.17A	150W	+/-5%	+/-1%	630mV
PEAD150B-18	48V DC	3.13A	150W	+/-5%	+/-1%	840mV

Note: Add suffix "SF" for C8 AC inlet. Example: PEAD150SF-14

Add suffix "S" for C6 AC inlet, Example: PEAD150S-14

Add suffix "F" for C18 AC inlet, Example: PEAD150F-14

Mechanical Outline



1. Dimensions in mm.
2. Standard Kycon KPP-4P or equivalent. Optional connectors are available. Contact Power Partners Sales Department.
3. C14 input receptacle shown. Also available with a C6, C8 or C18 input receptacle. Modify Part Number to include reference, for example, PEAD150S-12 for C6.