



DATA SHEET: ISB-100M (-UL)

1000 VA Medical Grade Isolation Transformer

Input: 100 / 120 / 220 / 240 VAC - 50/60Hz
Input via an IEC 320 Power entry module.
On/off switch is illuminated.

Output: Output Voltage Selectable by switch;
120VAC / 8.33A , or
240VAC / 4.17A
9 Receptacles (IEC 60320)

Filtering: Standard installed (optional)

Regulation: 3.2% Typ.

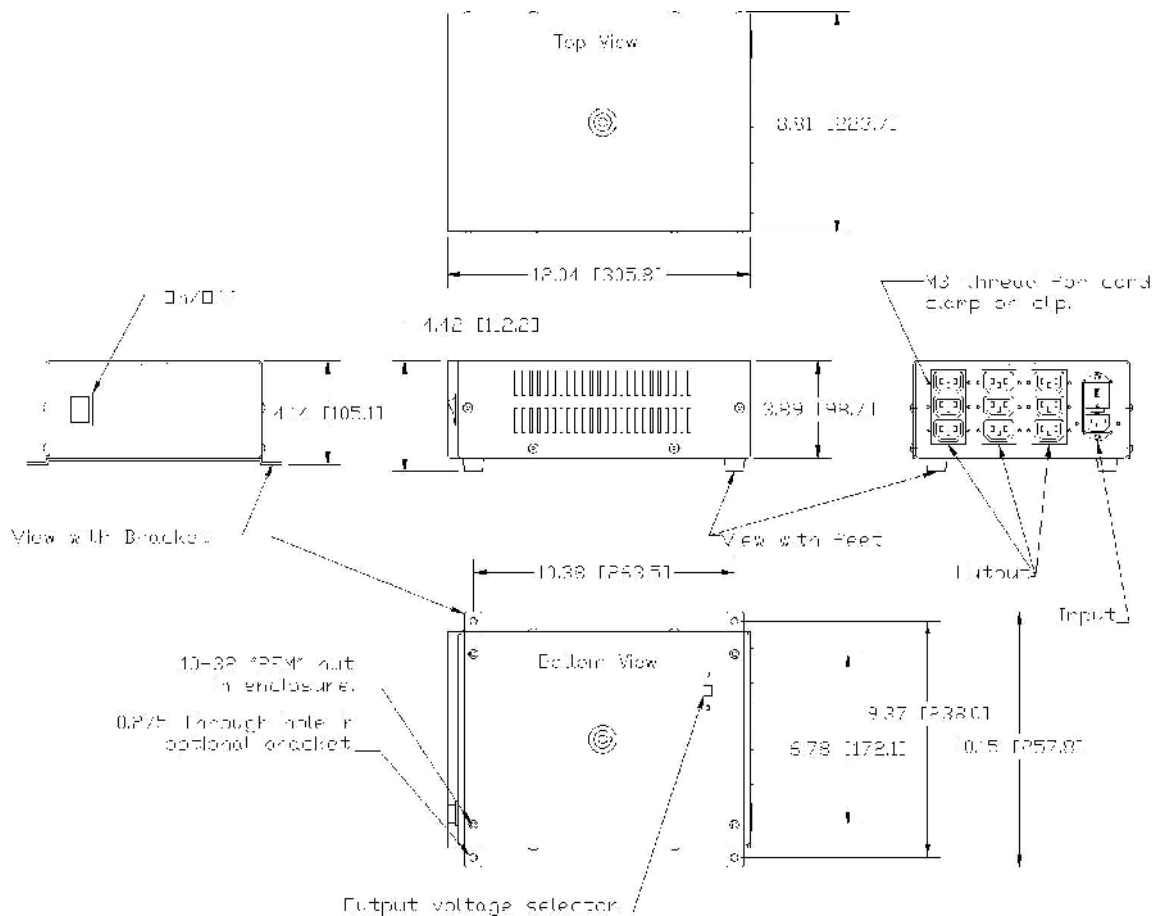
Fusing: 100VAC – 12.5AT 120VAC – 10AT
220VAC – 5AT 240VAC – 5AT
High Breaking Capacity, 250V 5x20
Use Agency approved fuses only
Internal thermal resettable fuse.

Approvals: ANSI/AAMI ES60601-1:2005/(R)2012
CSA CAN/CSA-C22.2 NO.60601-1:14
IEC/EN 60601.1 Ed. 3.1, CE (LVD)

Powercord: US style Input Medical Grade provided.
European and other styles available upon request.
Cord Strain relief available upon request.

Leakage: 132V 60Hz : <100uA
264V 50Hz : <100uA

Output Cord: Optional.
Cord Strain relief available upon request.



PROUDLY DISTRIBUTED BY:

06/06/17



Power Sources Unlimited, Inc.

Power Sources Unlimited, Inc.
200 Stonewall Boulevard, Suite 4
Wrentham, MA 02093-2210
WWW.PSUI.COM

1-800-966-PSUI (7784)
Outside U.S. 508-384-1419
Fax: 508-384-1896
info@psui.com

POWER WITHOUT LIMITS