



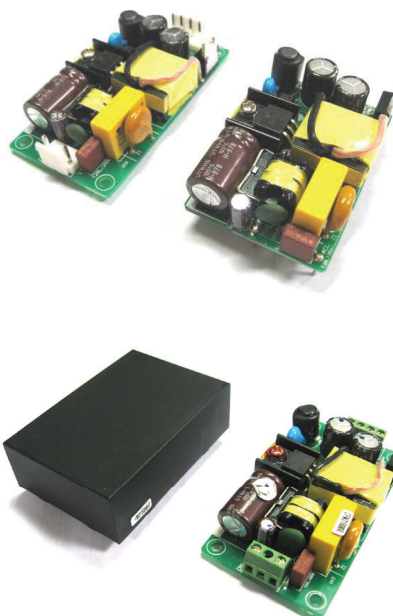
CFM21 SERIES

20 WATT SINGLE OUTPUT AC-DC MODULES



Features

- * Universal Input Range 90~264VAC
- * Miniature Size Low Profile 0.8"
- * Industry-Standard Pin Out
- * Efficiency to 85%
- * Option for On-Board, Connector, Screw Terminal Or Encapsulated type
- * Continuous Short Circuit Protection
- * Over Voltage Protection
- * No Load Input Power < 0.3W
- * Leakage Current < 0.1mA
- * UL60601-1/IEC60601-1/EN60601-1 Medical Safety Approved
- * UL60950-1/IEC60950-1/EN60950-1 ITE Safety Approved



| MODEL | INPUT VOLTAGE | OUTPUT VOLTAGE | MIN. LOAD | MAX. LOAD | OUTPUT RATED POWER | RIPPLE & NOISE | VOLTAGE ACCURACY | % EFF. |
|-----------|---------------|----------------|-----------|-----------|--------------------|----------------|------------------|--------|
| CFM21S033 | 90~264 VAC | 3.3 V | 0 | 4.0 A | 13.2 W | 50 mV | ±1% | 75% |
| CFM21S050 | 90~264 VAC | 5.0 V | 0 | 4.0 A | 20.0 W | 50 mV | ±1% | 80% |
| CFM21S090 | 90~264 VAC | 9.0 V | 0 | 2.3 A | 20.7 W | 90 mV | ±1% | 81% |
| CFM21S120 | 90~264 VAC | 12 V | 0 | 1.7 A | 20.4 W | 100 mV | ±1% | 83% |
| CFM21S150 | 90~264 VAC | 15 V | 0 | 1.4 A | 21.0 W | 100 mV | ±1% | 84% |
| CFM21S240 | 90~264 VAC | 24 V | 0 | 0.9 A | 21.6 W | 100 mV | ±1% | 85% |

PROUDLY DISTRIBUTED BY:



Power Sources Unlimited, Inc.
200 Stonewall Boulevard, Suite 4
Wrentham, MA 02093-2210
WWW.PSUI.COM

1-800-966-PSUI (7784)
Outside U.S. 508-384-1419
Fax: 508-384-1896
info@psui.com

**POWER
WITHOUT
LIMITS**

06/06/17

Specifications

INPUT SPECIFICATIONS:

| | |
|-----------------------|--|
| Voltage | 90~264Vac |
| Frequency | 47 to 63Hz |
| Input Current | 0.3 to 0.5A |
| Inrush Current | Cold Start@25°C 40A max. @230Vac |
| Leakage Current | 0.1mA max. |

OUTPUT SPECIFICATIONS:

| | |
|------------------------------------|-------------------------------------|
| Voltage Accuracy: | ±1.0% max. |
| Line Regulation (note3) | ±0.5% max. |
| Load Regulation (note4) | ±1.0% max. |
| Hold-up Time | 10ms typ. @115Vac |
| Short Circuit Protection | Continuous |
| Over Voltage Protection(TVS) | 115%-140% of nominal output voltage |

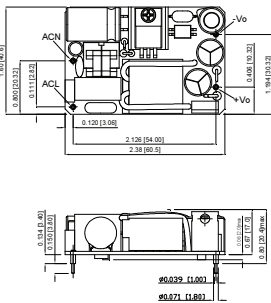
GENERAL SPECIFICATIONS:

| | |
|-----------------------------|---|
| Efficiency | see Table |
| Switching Frequency | 100KHz typ. |
| Isolation | Input to output = 5656VDC |
| Operating Temperature | -25 ~ 70°C (with de-rating) |
| Storage Temperature | -40~85°C |
| Cooling | Natural Convection |
| Humidity | 93% RH max. Non condensing |
| MTBF | MIL-STD-217F, GB 650Khrs min. |
| Dimensions | 2.38x1.60x0.80inches (60.5x40.6x20.4mm) |
| | -T: 3.00x1.60x0.77inches (76.2x40.6x19.5mm) |
| | -E: 2.53x1.74x0.80Inches (64.2x44.2x20.4mm) |
| | -S: 3.00x1.60x0.77Inches (76.2x40.6x19.5mm) |
| Weight | 50g, 55g(-T, -S), 105g(-E) |

Mechanical Specification

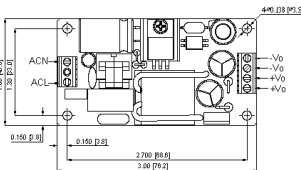
CFM21SXXX

All Dimensions in Inches[mm]
Tolerance: Inches:xxx= ±0.02,xxxx= ±0.01
Millimeters:xx= ±0.5,xxx= ±0.25



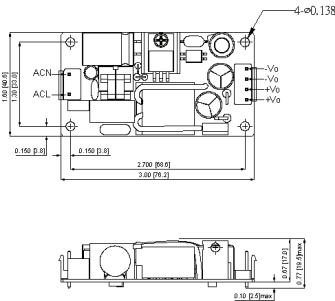
CFM21SXXX-S

All Dimensions in Inches[mm]
Tolerance: Inches:xxx= ±0.02,xxxx= ±0.01
Millimeters:xx= ±0.5,xxx= ±0.25



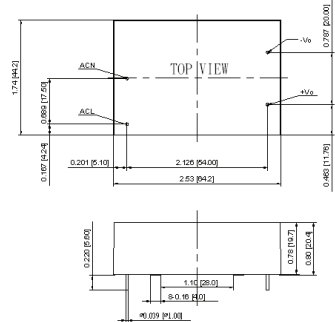
CFM21SXXX-T

All Dimensions in Inches[mm]
Tolerance: Inches:xxx= ±0.02,xxxx= ±0.01
Millimeters:xx= ±0.5,xxx= ±0.25

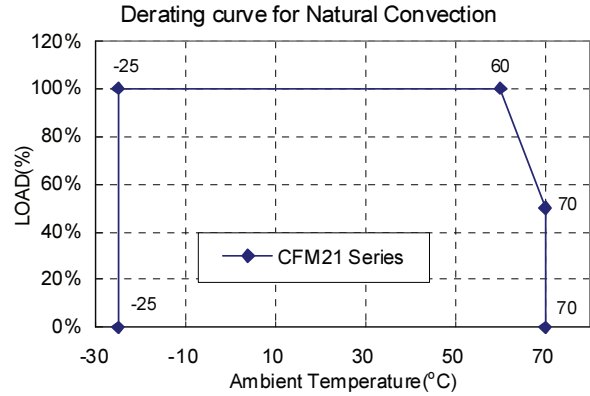


CFM21SXXX-E

All Dimensions are in inches[mm]
Tolerance: Inches:xxx= ±0.02,xxxx= ±0.010
Millimeters:xx= ±0.5,xxx= ±0.25



CFM21 Series De-rating Curve



SAFETY AND EMISSION:

| | |
|------------------------|--|
| CE Directive | 2004/108/EC, 93/42/EEC |
| Emissions ... | EN60601-1/EN61204-3/EN55022/CISPR Class B, EN55024 |
| Safety Approvals | UL60601-1, IEC60601-1, EN60601-1 UL60950-1, IEC60950-1, EN60950-1 |

NOTE:

1. Voltage accuracy is set of 100% rated load.
2. Add a 0.1uF ceramic capacitor and a 10uF E.L. capacitor to output for Ripple & Noise measuring @20MHz BW.
3. Line regulation is measured from high line to low line with full load.
4. Load regulation is measured from 10% to 100% full load.
5. T Version Connection: JST B3P-VH / B4P-VH or equivalent.
6. S Version Connection: DECA MB332-381A or equivalent.

PROUDLY DISTRIBUTED BY:



Power Sources Unlimited, Inc.
200 Stonewall Boulevard, Suite 4
Wrentham, MA 02093-2210
WWW.PSUI.COM

1-800-966-PSUI (7784)
Outside U.S. 508-384-1419
Fax: 508-384-1896
info@psui.com

POWER
WITHOUT
LIMITS

06/06/17