



POWER SOURCES UNLIMITED, INC.

Your #1 Distributor for Power Products

200 Stonewall Blvd - Suite 4
Wrentham, MA 02093-2210

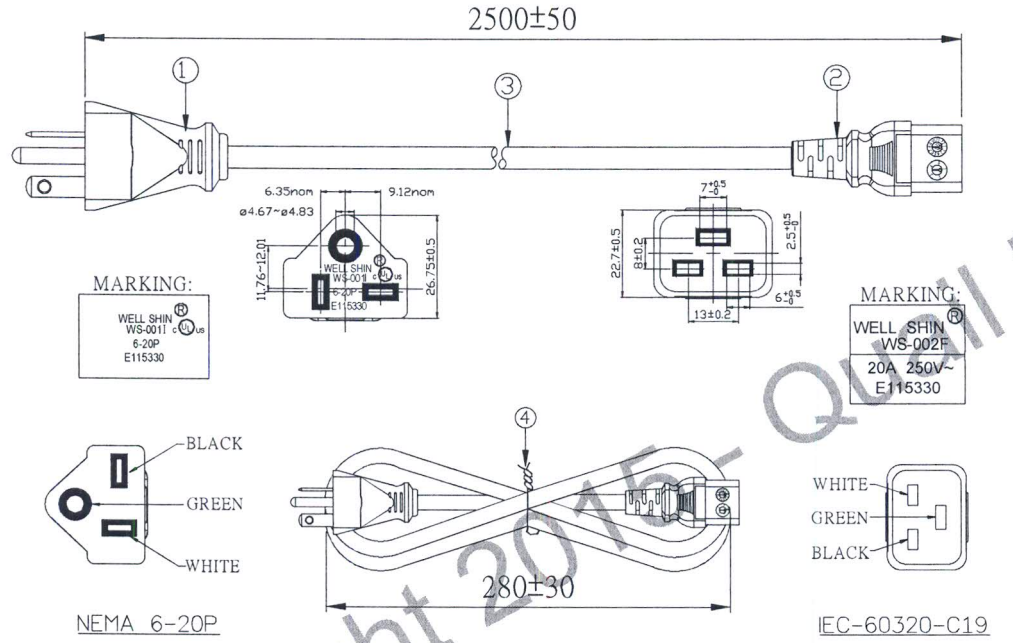
Tel: 508-384-1419
Fax: 508-384-1896
Nationwide: 800-966-PSUI
800-966-7784

WWW.PSUI.COM

RoHS (2011/65/EC) COMPLIANT

CUSTOMER: P/N: 5053.098 REV. APPROVED BY:

REVISIONS		
REV.	DESCRIPTION	DATE
△		07.11.03
△		08.10.31
△		2011.01.13
△		2011/11/16
△		2013/04/16
△		2013/04/30
△	UPDATE PRINT HEAD	2015/09/17



NOTES:
1. CHANGHUA PRODUCTION OF WIRE ROD HAVE CSA SAFETY
CHANGHUA PRODUCTION BEGAN TO ISSUE FROM THE "H EDITION"
2. RoHS

ITEM	DESCRIPTION	COLOR	Q'TY
④	Cable tie	BLACK	1
③	SJTW 12AWG* 3C 105°C APPROVAL : UL,C-UL(CSA)	BLACK	1
②	WS-002F 20 (A) 250(V) APPROVAL : UL,C-UL	BLACK	1
①	WS-0011-3 20 (A) 250(V) APPROVAL : UL,C-UL	BLACK	1

SIGNATURE	QUAIL ELECTRONICS, INC. http://www.quail.com		
SAFETY ENGINEER:	PRODUCT NO: 0011-3+002F	DATE: 2015/09/17	REV.
MANAGER BY:	UNIT: mm	SHEET: 1 OF 1	L
CHECKED BY:	DWG NO: 0096-0191		L
DRAWN BY:			

THE INFORMATION CONTAINED HEREIN IS PROPRIETARY TO QUAIL ELECTRONICS, INC. ANY USE OR DISCLOSURE OF THIS INFORMATION, EXCEPT FOR THE EXCLUSIVE BENEFIT OF QUAIL ELECTRONICS, INC. IS PROHIBITED.

PSUI P/N 16-00601-71