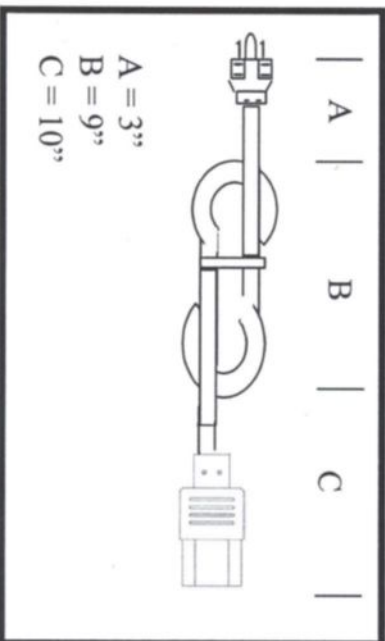


MEGA Reserves the right to alter Non-Critical dimensions without notice:

Packaging: Figure 8 and twist tie



A = 3"
B = 9"
C = 10"

Notes:

1. Plug: Hospital Grade NEMA 5/15P Clear
2. Cordage: SJT 18AWGx3 60° Gray
3. Connector: ENG60320 C13 Clear
4. Approvals: UL Listed, cUL
5. Rating: 10A/125V
6. Color coding: Black, white, green

REV	Description	Date
C	Revised drawing format	8/13/12
B	Warning label added	2/11/04
A	Drawing Release	
REV	Description	Date


POWER SOURCES UNLIMITED, INC.
 Your #1 Distributor for Power Products

200 Stonewall Blvd - Suite 4
 Wrentham, MA 02093-2210
 Tel: 508-384-1419
 Fax: 508-384-1896
 Nationwide: 800-966-PSUI
 800-966-7784
 WWW.PSUI.COM

Customer P/N Rev.	Item Description: Hospital grade detachable power cord gray 10'	
RohS Compliant	Approved: GF	Drawn By: JG
	Part Number: 458-M161	Date: 8/13/12
		PSUI P/N 16-00601-23