



POWER SOURCES UNLIMITED, INC.

Your #1 Distributor for Power Products

200 Stonewall Blvd - Suite 4
Wrentham, MA 02093-2210

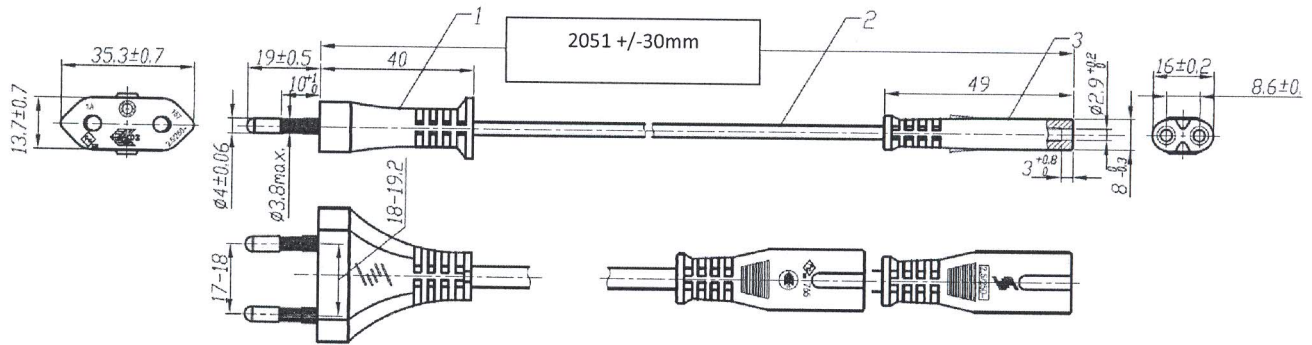
Tel: 508-384-1419

Fax: 508-384-1896

Nationwide: 800-966-PSUI

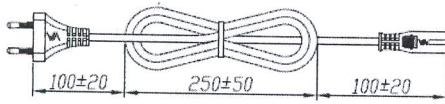
800-966-7784

WWW.PSUI.COM



MEGA Reserves the right to alter Non-Critical dimensions without notice:

Packaging: Figure 8 and twist tie



Notes:

1. Plug Type: CEE7/16
2. Cordage: H03VVH2F2x0.75mm
3. Connector: EN60320 C7
4. Approvals: ENEC
5. Rating: 2.5A/250V
6. Color: Black

Bgf	Length Changed from 2000mm	12/14/15
A	Drawing Release	9/13/13
REV	Description	Date

MEGA ELECTRONICS INC.

4B Jules Lane
New Brunswick, NJ 08901
Tel. 732-248-2656
www.megaelectronics.com

Proprietary Notice:

This document is the property of MEGA Electronics, Inc. The information contained herein is not to be disclosed to anyone without the express written consent of MEGA Electronics.

RoHS Compliant

Item Description: Euro Cord with C7 connector 2051mm hanked

Approved By: AG

Drawn By: GF

Part Number: 200-20M

PSUI P/N 16-00601-02 Rev. 1.0